

Metalu 600

FIXED-REMOVABLE HYDRAULIC LIFT



METALU[®]
poollift.com.es



Lift suitable for those swimming pools where the water pressure is a problem or where you don't want a water pre-installed intake.

Simply it is needed to be fixed at the swimming pool edge.

GENERAL CHARACTERISTICS METALU 600

FIXED-REMOVABLE HYDRAULIC LIFT

- Officially approved to lift 120 or 150 Kgs.
- Metallic device with electric mechanism (24 V.)

Composed of:

- Base platform to anchor.
- Vertical prism.
- Pivoting arm.

Electric mechanism:

24 V. electric actuator • Control box • Handheld controller
Battery • Battery charger

- IP 65 protection.
- Operated from handheld controller.

- **2 batteries + charger.**
- Removable seat.
- Flip up armrest.
- Footrest.
- Made of AISI 316 stainless steel with powder paint protection.
- Vertical seat travel:..... 1,10 Mts

AUTONOMOUS USER

2 years warranty on the lift. 5 years warranty on all spare parts (except batteries, which are guaranteed for 2 years).

 Approx. 75 kg.



Metalu 600

FIXED-REMOVABLE HYDRAULIC LIFT

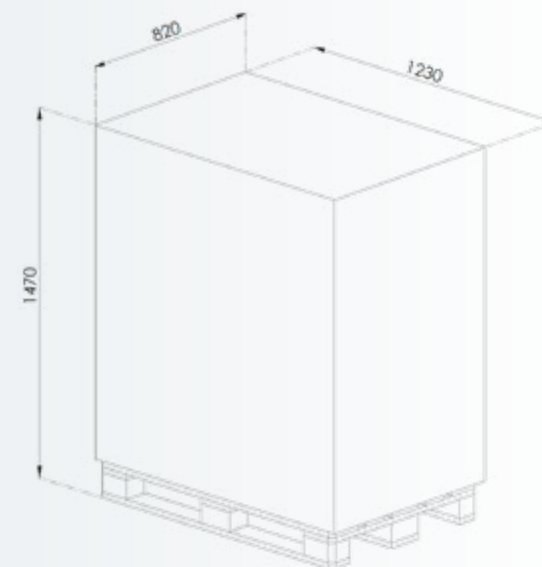
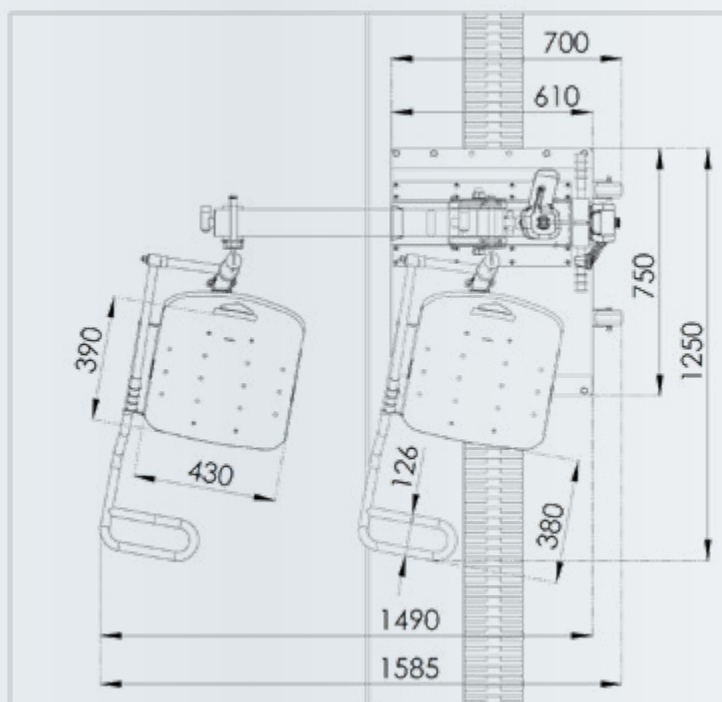
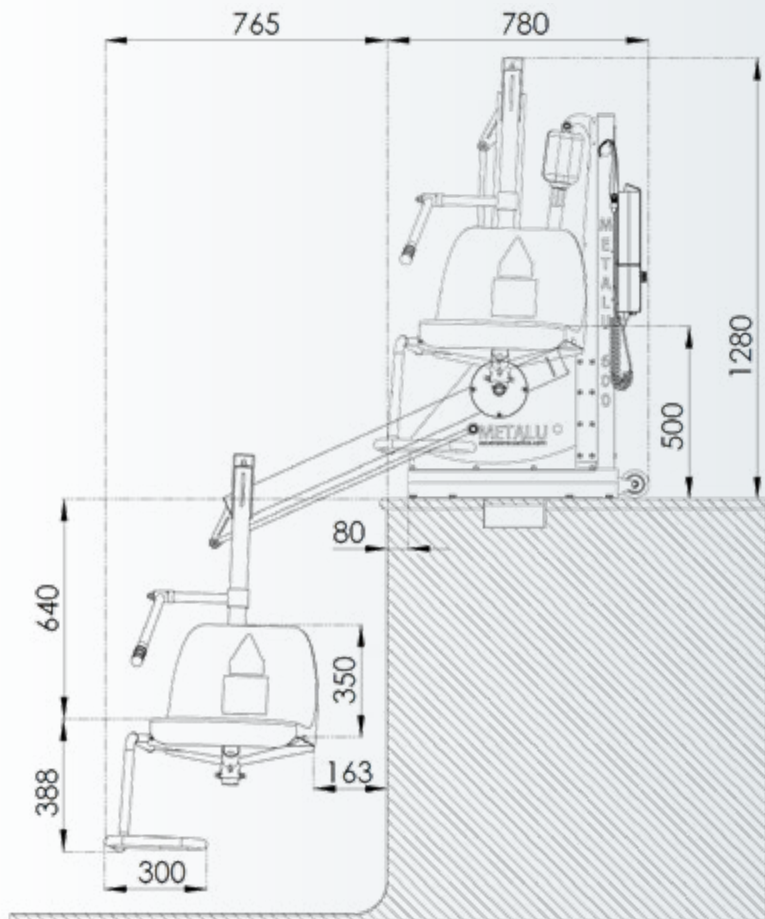
* BATTERY INFORMATION

- In the control box there is an indicator that shows the battery level charge.
- With a good use, the battery may have an **autonomy of 25-30 usages**
(it is recommended not to drain the full charge of the battery : 15-20 usages)
- The charging time of the battery is about 4-5 hours.



METALU 600 DIMENSIONS

UNITS IN MILLIMETERS [MM]

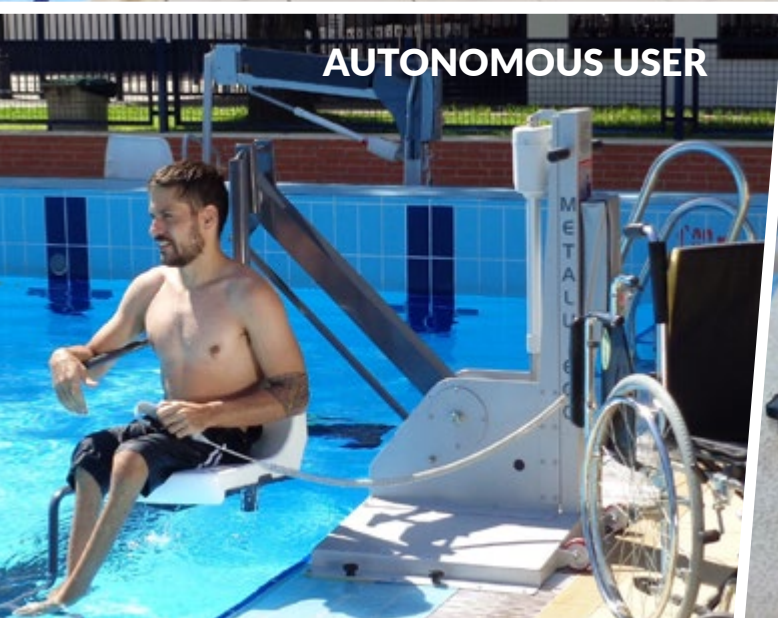


Packaging dimensions: 1,230 x 0,820 x 1,470 Mts.
170 Kgs.

PORTABLE



AUTONOMOUS USER



REMOVABLE SEAT



EASY TO ANCHOR

