

Ascensor acuático: METALU B-2

Asistente hidráulico para acceso a piscinas.

Diseñado para piscinas contruidas a ras del suelo.



5
años
GARANTIA
En todo el repuesto

Manual y certificados.



Aquatic lift: METALU B-2
Hydraulic assistant for pool access.
Designed for in-ground pools.
Manual and certificates.

Índice

1.	Manufacturer's data	3
2.	Functional characteristics	3
3.	Main product standards.....	5
4.	Declaration of conformity.....	6
5.	Identification plate.....	7
6.	Warranty certificate.....	7
7.	Commissioning certificate.....	8
8.	Installation certificate.....	9
9.	Components of the standard package.....	10
10.	Shipping components.....	11
11.	Elevator spatial dimensions.....	13
12.	Proper use of the product and maintenance.....	16

1. Manufacturer's information

Company name: Manufacturas Metálicas Luisianeras, S.L.

Address: Polígono Industrial Los Motillos, C/ Madrid n.º 11 naves A, C, D, G, H, 41430.

City: La Luisiana (Sevilla).

VAT number: B – 41834508

Main phone number: +34 955 907 784

Website: www.ascensoracuatico.com

Email: info@ascensoracuatico.com

2. Functional features.

The METALU B-2 model is a fixed-detachable aquatic lift that provides independent access to pools for people with reduced mobility. It is the most stable lift on the market, as the handrail with its 5 points of support ensures maximum user safety. Made of AISI 316 stainless steel, it has a load capacity of up to 150 kg. The lift operates with a hydraulic system that requires water pressure between 3.5 to 5.5 bar and is equipped with dual valve controls for operation from both the exterior and interior of the pool. The seat is detachable to prevent unauthorized use, and there is the option to add accessories such as an auxiliary shower, footrest, armrests, and safety belt.



Among the main features of this product, the following points should be highlighted:

- o **Fully autonomous** user operation.
- o It is the **most stable lift on the market**, as the handrail with its 5 points of support ensures maximum user safety.
- o **Fixed-detachable**: it can be permanently installed during the bathing season and removed for storage during winter.
- o **Dual controls for operation** from both the exterior and interior of the pool.
- o **Manometer** to measure the hydraulic system's pressure.
- o **Detachable seat** to prevent unauthorized use.
- o Adaptability (upon request):
- o Reverse rotation.
- o Accessories (upon request):
- o Shower.
- o Safety belt.
- o Foldable armrests.
- o Footrest

The technical specifications of the METALU B-2 model are as follows: [proceed with the technical specifications]

Technical characteristics METALU B-2

Material	Inox steel AISI 316	-
Maximum load capacity	150	kilos
Pressure range	3,5 – 5,5	bar
Swing angle	170	degrees
Swing radius	700	millimeters
Travel distance	1,06	meters
Net weight	(29+11+8)=48	kilos
Gross weight	(36+15+13)=64	kilos
Upward time in empty condition (according to pressure)	20	seconds
Upward time with 85 kg load (according to pressure)	25	seconds
Downward time in empty condition	42	seconds
Downward time with 85 kg load	20	seconds
Water capacity in the cylinder	8	liters
Minimum depth of the pool in the installation	1,10	meters

3. Main product standards.

- The manufacturing and finishing of the elevator comply with the following characteristics:
 - The entire structure and accessories are made of stainless steel 316.
 - Sharp edges that could cause injuries are avoided in the metal finishing.
 - All hardware used poses no risk, as everything is assembled with round-headed screws, preventing scratches or snagging for the user.
 - Adequate spaces are provided in the moving parts to prevent any limb entrapment.
 -
- A standardized warning sign indicating the maximum load capacity (150 kg) is included.
- The static coefficient is taken into account, with the mechanical strength and risk of tipping calculated at a doubled value.
- The speed of movement of the mobile components is smooth, lower than 0.1 m/s, thus avoiding the risk of falling from the seat.

4. Declaración CE de conformidad.



DECLARATION OF CONFORMITY

The undersigned, representing the company:

- **Company name:**Manufacturas Metálicas Luisianeras, S.L.
VAT number: B – 41834508.
- **Address:**Polígono Industrial Los Motillos, C/ Madrid n.º 11 naves A, C, D, G, H, 41430.
- **City:**La Luisiana (Sevilla).

Description of the product:

- **Model:** METALU PK.
- **Type:** Aquatic lift with hydraulic lifting and rotating movements to facilitate access and egress for people with reduced mobility in pools.
- **Capacity:** Lifting capacity of 150 kg.

Machine Compliance:

The machine complies with the provisions set out in Directive 2006/42/EC of the European Parliament and of the Council of May 17, 2006, relating to machinery.

Harmonized standards and technical specifications used:

- **UNE-EN 61310-1:2008.** Safety of machinery - Indication, marking, and actuation - Part 1: Requirements for visual, auditory, and tactile signals.
- **UNE-EN 61310-2:2008.** Safety of machinery - Indication, marking, and actuation - Part 2: Requirements for marking.
- **UNE-EN ISO 12100:2012.** Safety of machinery - General principles for design - Risk assessment and risk reduction.
- **UNE-EN 547-3:1997+A1:2008.** Safety of machinery - Human body measurements - Part 3: Anthropometric data.

In La Luisiana, on November 14, 2014

Signed. D. Manuel Escalera Soler.
Administrator

5. Identification plate.

The product shall bear a legible and indelible nameplate with the following engravings:

- Manufacturer's name and address.
- CE conformity marking.
- Year of manufacture.
- Serial number.



6. Warranty certificate.

Manufacturer Company: Manufacturas Metálicas Luisianeras, S.L.

Product: Aquatic Elevator "METALU B-2". Hydraulic assistant.

Serial Number:

Delivery Date:

General Conditions:

- **Duration and extent of the warranty:** The warranty period is three years against any operational defects and five years against any material defects.

Customer Information:

Customer:

Address:

Contact Person:

Phone:

Company Signature:

7. Commissioning Certificate.

Main data of the manufacturing company:

- **Company Name:** Manufacturas Metálicas Luisianeras, S.L.
- **VAT ID:** B – 41834508.
- **Address:** Polígono Industrial Los Motillos, C/ Madrid n.º 11 naves A, C, D, G, H, 41430.
- **Location:** La Luisiana (Seville).

Product Description:

- **Model:** METALU B2.
- **Type:** Aquatic elevator with hydraulic lifting and rotating movements to facilitate access and exit for individuals with reduced mobility in pools.
- **Capacity:** Maximum lifting capacity of 150 kg.

Technical Construction File approved by the Association of Experts and Technical Engineers of Seville.

In this document, it is certified that:

1. The competent technician (Jesús León Delis, registered member n.º 10061) certifies **the assembly, commissioning, and service of the product described above.**
2. The manufacturing and assembly of the elevator have been carried out in accordance with the technical project and its assembly drawings.
3. The design and manufacturing have been performed in accordance with the current Spanish regulations concerning Machine Safety, taking into account the following harmonized standards: UNE-EN 61310-1-2008, UNE-EN 61310-2-2008, UNE-EN ISO 12100-2012, UNE-EN 547-3-1997+A1:2008.
4. The aquatic elevator is accompanied by the CE marking, which certifies compliance with the regulations of the European Economic Community.

In La Luisiana, on November 14, 2014.

The competent technician:



Jesús León Delis

Collegiate N.º 10061

The manufacturing Company:



Manuel Escalera Soler

8. Installation Certificate.

Installing Company:

Declares: Having installed the elevator following the instructions provided by the manufacturer.

Product: Aquatic elevator "METALU B-2". Hydraulic assistant.

Serial Number:

Installation Date:

Location of the installation:

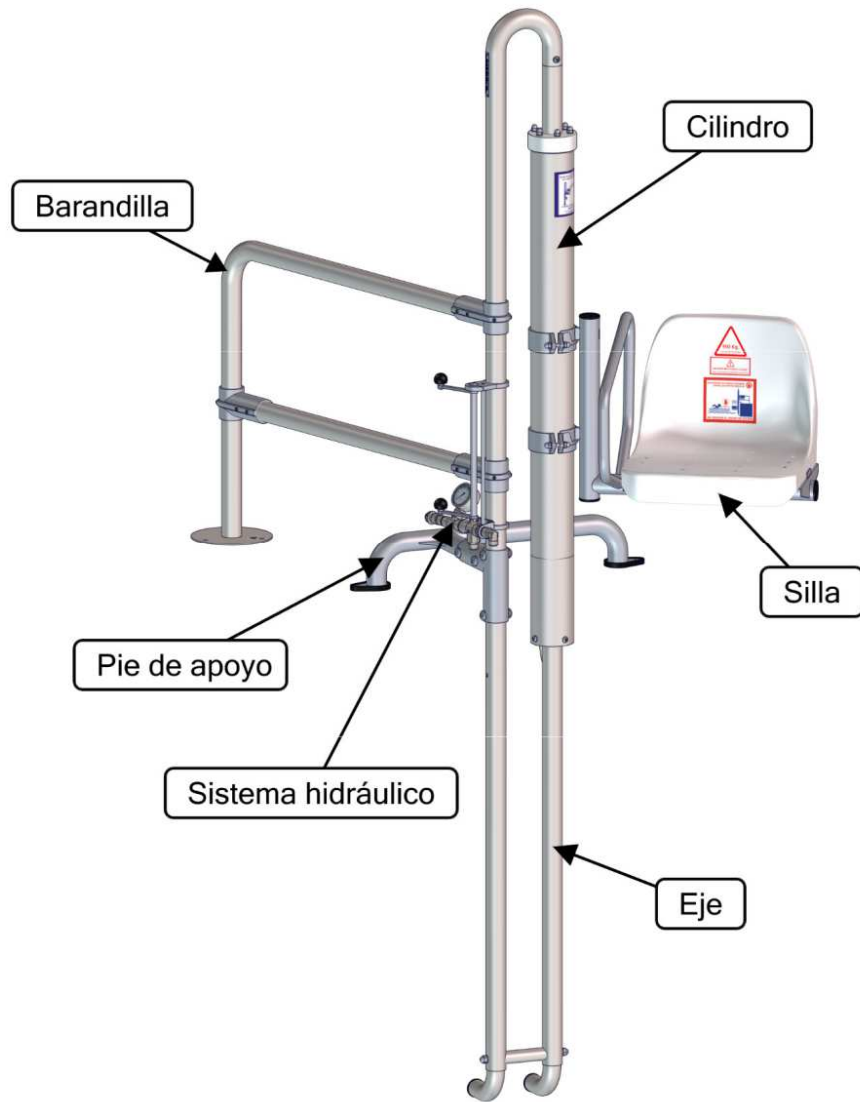
Name of the installer:

ID of the installer:

Installer's Signature

9. Standard Package Components.

The standard package of the METALU B-2 model includes the components shown in the following figure.



Standard Package Components.

Cylinder - Handrail - Chair - Support - Foot - Hydraulic System - Axle

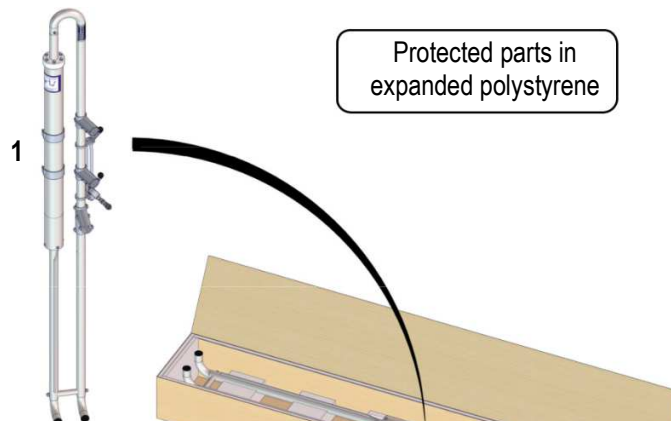


10. Shipping Components.

The shipping components of the elevator's standard package are supplied to the customer in different packages.

Shipping components for standard order

Type of order		Weight of the package [kg]	Dimensions (Width, height, length) [mm]	Contents
Standard order	Package 1	36	435 x 270 x 2840	1. Cylinder and axis assembly.
	Package 2	13	720 x 600 x 680	2. Chair.
				3. Documentation: <ul style="list-style-type: none">• Manual and certificates.• Pre-installation and installation.
				4. Anchoring bolts (5 Ud.)
	Package 3	15	905 x 220 x 1150	5. Handrail
				6. Auxiliary handrail
				7. Support base

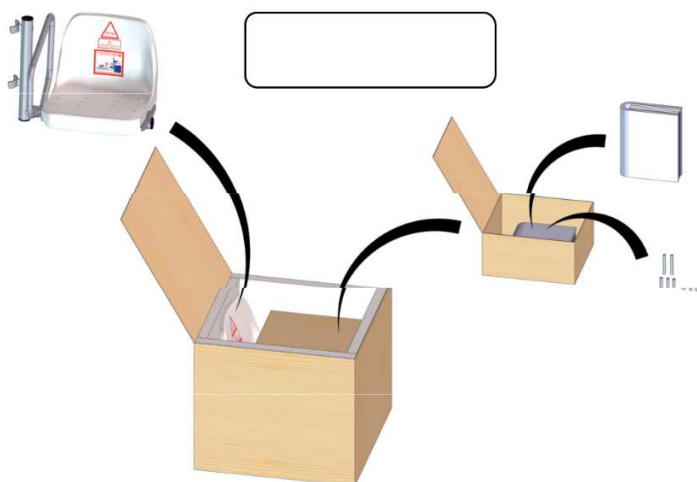


Contents of package 1 for METALU B-2 model

Protected parts in expanded polystyrene

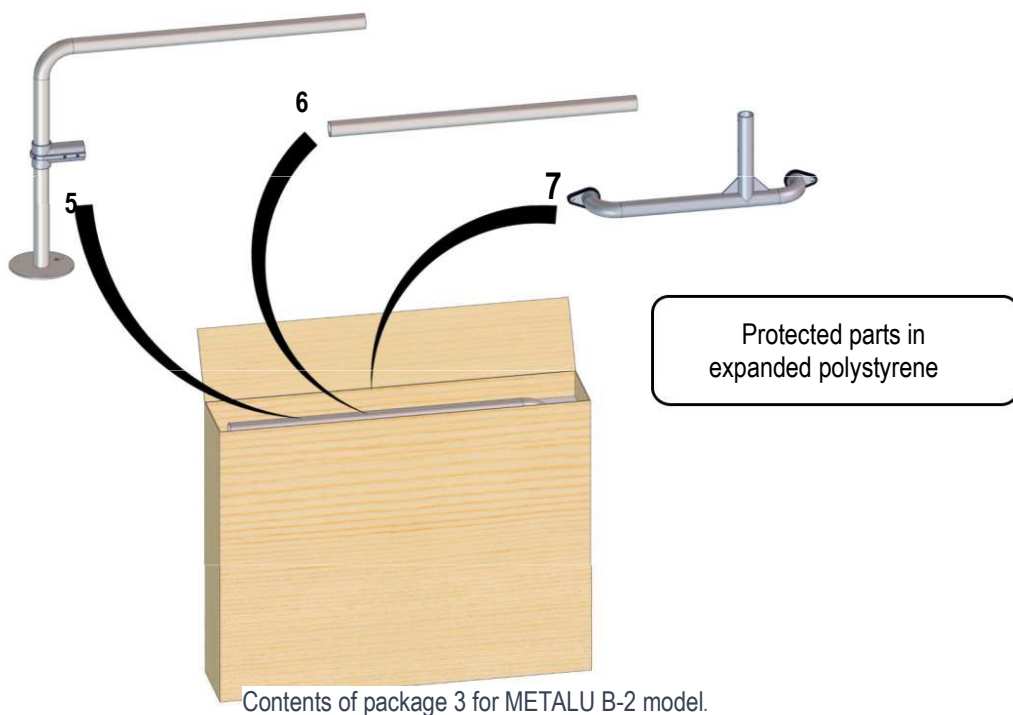
2

3



4

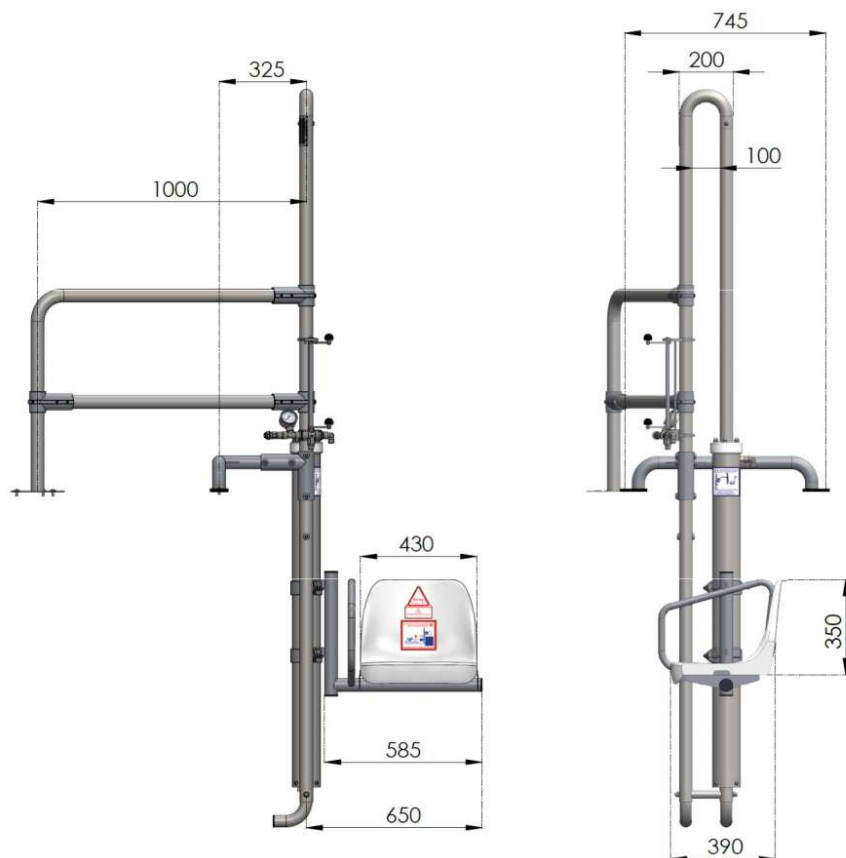
Contents of package 2 for METALU B-2 model.



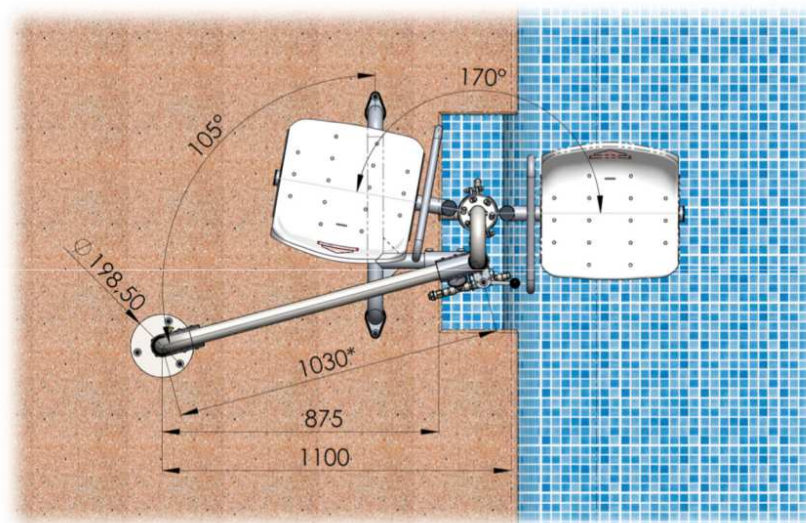
Contents of package 3 for METALU B-2 model.

11. Spatial dimensions of the lift.

Overall dimensions of the elevator at its lowest position, front view. Units in millimeters [mm].

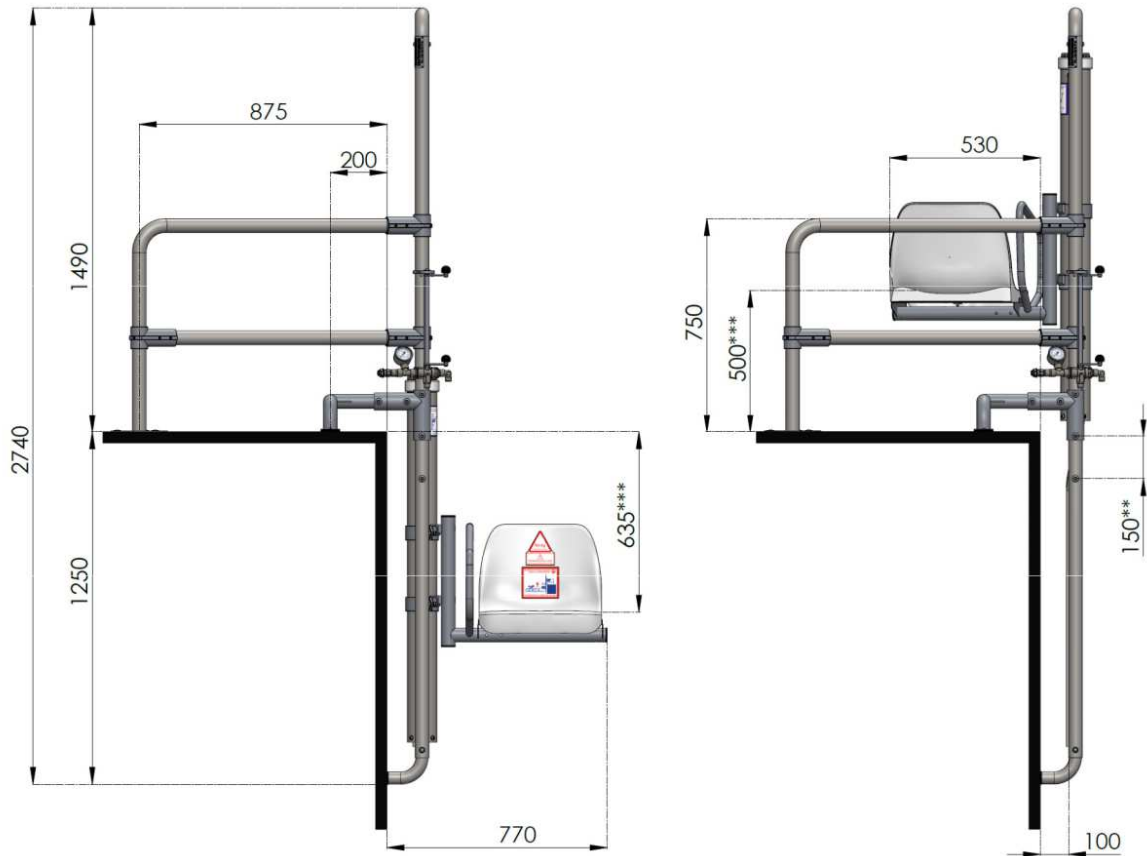


Overall dimensions of the elevator, top view. Units in millimeters [mm].



* The original length of the railing is 1030 mm, but it is a piece that can be cut as deemed necessary by the user. For more information, refer to the "Preinstallation and Installation" document of the METALU B-2 model.

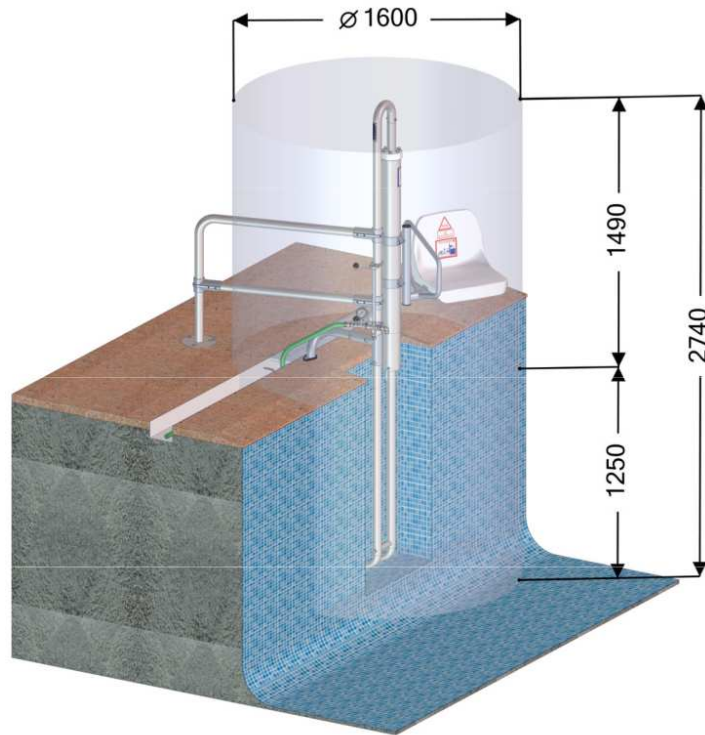
Dimensions of the elevator positioned in a standard pool profile, both in its lower and upper positions. Units in millimeters [mm]



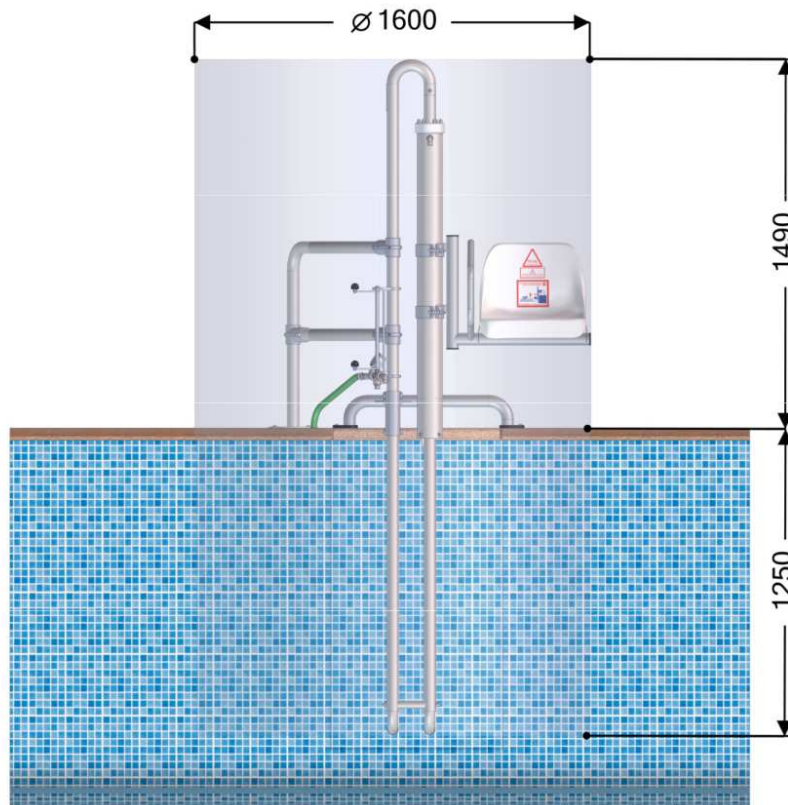
** The elevator axis can be positioned 150 mm lower if necessary. For more information, refer to the "Adaptability to the Pool Vessel" document of the METALU B-2 model.

*** The height of the seat can be modified by changing the position of the cylinder clamps..

Dimensions of the three-dimensional space in which the elevator operates (3D view).



Dimensions of the three-dimensional space in which the elevator operates (front view).



12. Proper use of the product and maintenance.

- **Proper use of the elevator:**

- o Use the elevator responsibly, understanding its functionality and purpose before operating it.
- o The elevator should not be used if the necessary steps for commissioning have not been followed. Review the assembly and installation instructions provided in the manual.
- o The elevator should only be used by authorized individuals designated by the establishment.
- o The designated seating area for the user is the seat, where the user must sit upright and centered. From this position, the control mechanisms can be easily accessed.
- o Before using the elevator, the user must ensure that there are no individuals or obstacles in the path of the moving parts of the elevator.
- o Once the user is in the pool, the seat should be returned to its initial position to prevent obstruction to other pool users.
- o The maximum weight capacity of the elevator, and therefore the user, is 150 kg.
- o o Using the elevator by more than one person at a time, even if the combined weight is below 150 kg, is prohibited.
- o Using the elevator for activities such as games or jumping is prohibited.
- o The seat is designed according to European standards for anthropometric measurements.
- o Follow the visual indications provided by the product.
- o The water pressure in the hydraulic system of the elevator should be maintained between 3.5 and 5.5 bar. It should never exceed 5.5 bar.
- o Use clean water from the supply network for the elevator's operation. If water from a well or other source that may contain impurities is used, filters should be employed.

Maintenance:

o Clean the elevator structure daily with plenty of fresh water under pressure to remove external particles from the surface, then dry with a cotton cloth.

o If the elevator is not used by any user for several weeks, operate it at least once a week with a medium load (approximately 75 kg) and perform several up and down movements. This activity will keep the interior areas of the cylinder clean.

o During periods of non-use, store the elevator in a covered place at room temperature. Store the elevator clean and dry, with the cylinder empty (seat in the lower position), and in a place where it won't be subjected to impacts.

o Periodically, visually check that all elevator parts are in good condition and that all screws and nuts are properly tightened. If any part is damaged, do not use the elevator until it is replaced. Increase these inspections in indoor pools.

INDOOR POOLS: Maintenance and especially cleaning in indoor pools should be much more strict due to their atmospheric conditions, temperatures, and generated climate.

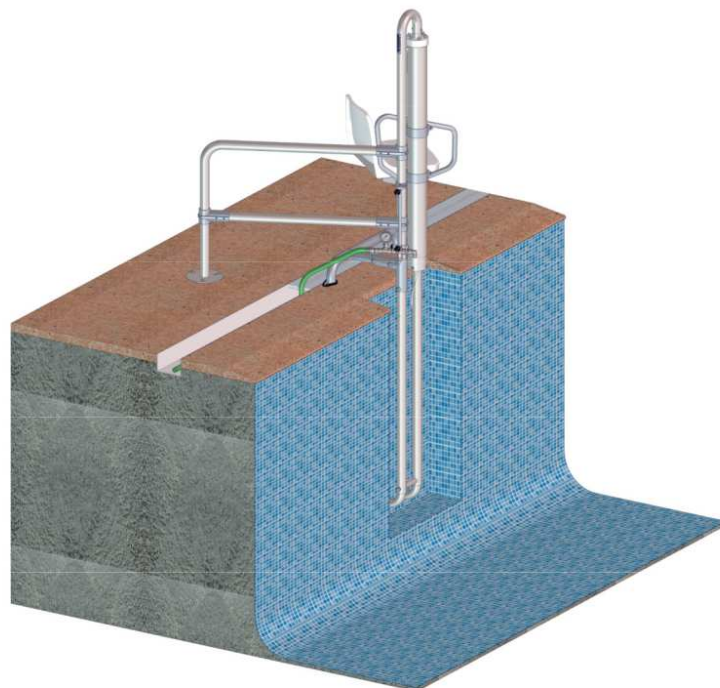
For more information about maintenance,
please visit the following link.



The movement of the aquatic elevator is carried out through a hydraulic mechanism. When the user turns the operating handle, the elevator will start to descend or ascend, entering or exiting the pool accordingly.



Lower limit position of the METALU B-2 model.

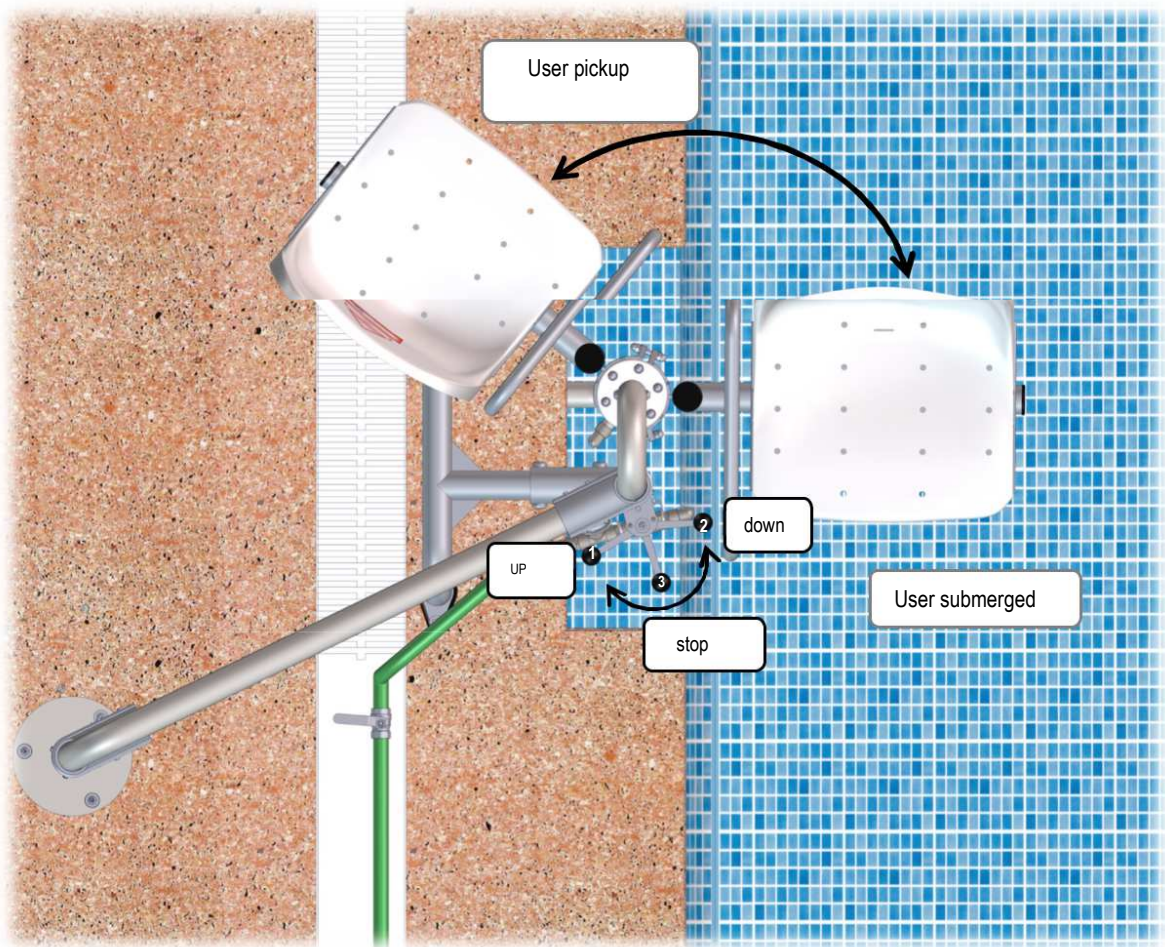


Upper limit position of the METALU B-2 model

The element that activates the elevator's operation is the operating handle. The speed of ascent or descent can be adjusted depending on the opening applied to the handle.

The rotation of the handle causes the elevator to ascend, descend, or stop as follows:

- Turning the handle from point 1 to point 2 will make the elevator **descend**.
- Turning the handle from point 2 to point 1 will make the elevator **ascend**.
- Positioning the handle at point **3 will stop** the elevator at its current position.



Handle activation positions

10 basic rules

1 METALU equipment should be installed according to the manufacturer's instructions, making all necessary queries. The installer should test the equipment after completing the installation, making sure that everything is correct.

2 According to art. 12 of Law 11/1997 on Containers, the final owner is responsible for packaging. Re-use as much as possible and dispose of the rest where appropriate for recycling.

Looking after the environment is everyone's responsibility.



3 METALU equipment should only be used by designated people at centres and by the users of the equipment.

4 Those responsible at centres should know the equipment and have read the instructions. If any questions remain after reading the instructions, contact the manufacturer at the addresses provided below.

5 Those responsible at centres shall instruct the users on how to operate the equipment.

6 Before starting up the lift, it should be ensured that the radius of action is free. While the lift is working, do not place hands or other objects on the moving parts of the lift.

7 Cleaning the exterior is mandatory to preserve the warranty. Follow the instructions that come with the lift.

8 According to ITC-BT-31 of the REBT, the machine must be connected to the equipotential connection conductor that the pool must have.

9 The installer must be aware of and take into account the regulations in their autonomous community when performing the installation.

10 If the holder of this document is not the end client, the holder must forward it to the end client.



MANUFACTURAS METÁLICAS LUISIANERAS, S.L.

Hydraulic aquatic elevator model METALU B-2

Manual and certificates

Address: Industrial Estate Los Motillos, C/ Madrid No. 11, Warehouses A, C, D, G, H, 41430.

City: La Luisiana (Seville).

VAT number: B – 41834508

Main phone: +34 955 907 784

Website: www.poollift.com.es

Email: info@poollift.com.es



Other available cocumentation:



Pre-installation
And instalation



Adaptability to
The pool bassin



Parts list and
troubleshooting



Additional
accesories