

Ascensor acuático: METALU B-2

Asistente hidráulico para acceso a piscinas.

Diseñado para piscinas contruidas a ras del suelo.



METALU
ascensoracuatico.com

Water lift: METALU B-2

Hydraulic assistant for access to swimming pools.
Designed for pools built at ground level.

5
años
GARANTÍA

En todo el repuesto

Pre-installation and installation

*Preinstalación e
instalación.*



ISO 9001
ISO 14001
BUREAU VERITAS
Certification





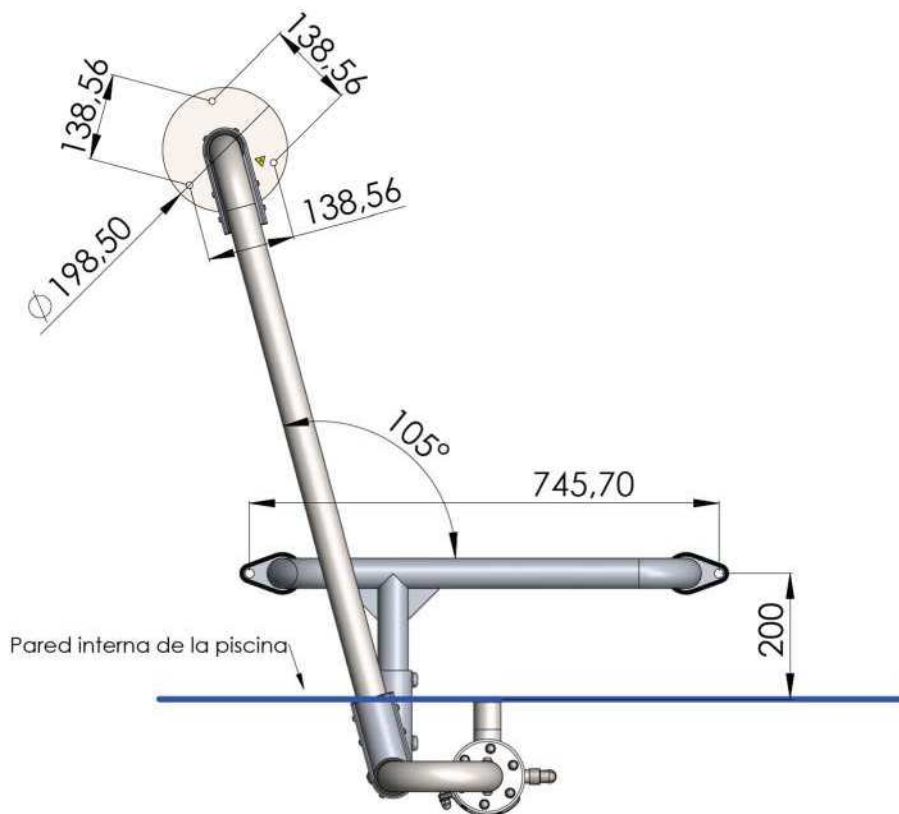
Índice

1. Anchor dimensions.....	3
2. Pre-installation.....	4
2.1 Pre-installation in pools with Skimmer profile.....	6
2.2 Pre-installation in pools with overfloww cannel type profile.	6
3. Installation.	7
4. Dismantling and storage the product.	16

1. Anchoring dimensions.

The METALU B-2 model consists of 5 anchor plugs: 2 in the support foot and 3 in the base of the handrail. **They are cylindrical plugs 90 mm long and 12 mm outside diameter.**

The distances between the anchor plugs (in millimetres) can be seen in the following picture::

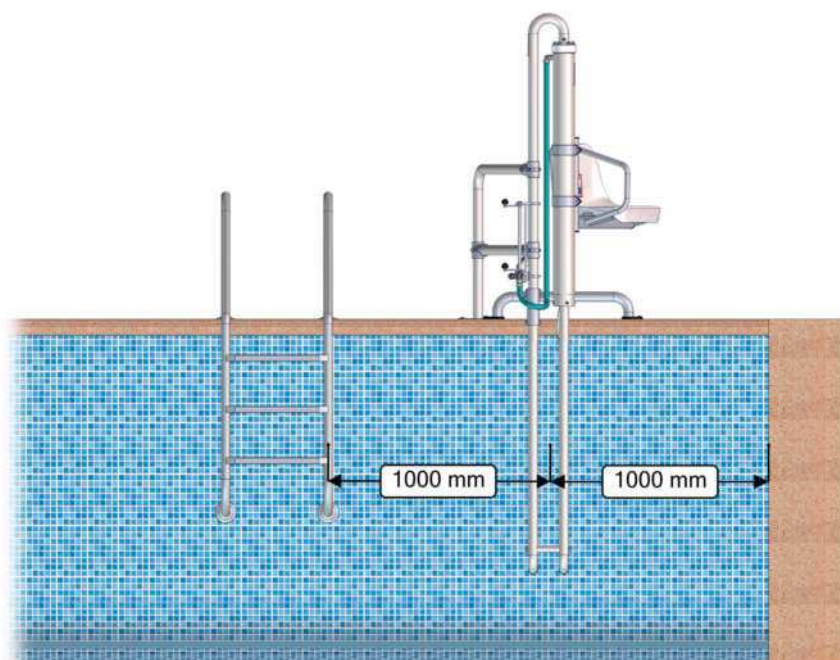


Inner wall of the pool

2. Pre-installation.

Before installing the METALU B-2 lift, the following points must be taken into account:

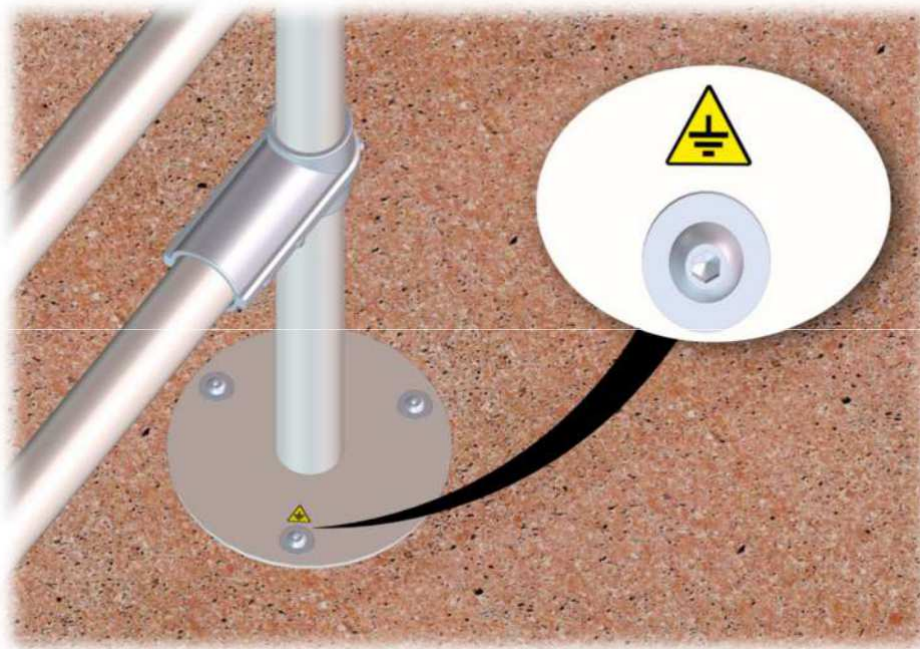
- For its installation, the regulations imposed by each autonomous community must be taken into consideration.
- Choose the right location for the lift. We recommend placing the lift where the pool has a **depth of approximately 1.30 metres**, so that if the user needs assistance from another person, he/she can easily stand up in the pool. The minimum permitted depth for the METALU B-2 model is 1.10 metres.
- The lift must have a **minimum clearance of 1 metre on each side**



Minimum obstacle-free space of 1 metre on each side.

- A ½" water supply with a pressure of between **3.5 and 5.5 bar** must be available at the location of the lift.
 - If the network does not reach the minimum of this pressure, it will be necessary to install a pressure group or water pump (see annex 1 of the document "Exploded View and Troubleshooting" of the METALU B-2 model).
 - In case of excess pressure, install a pressure reducer.
- Check that the booster is not installed on top of the skimmer, pipes, impellers or any other external component that may affect the normal operation of any element.

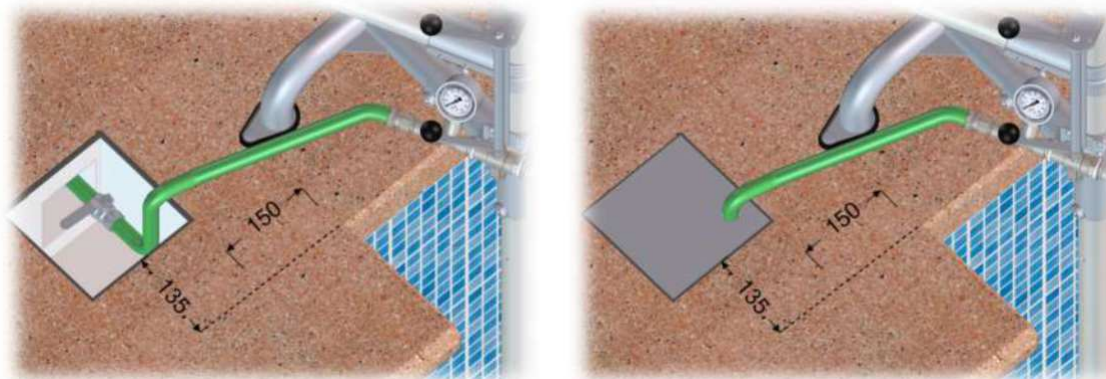
- For public or community swimming pools, take into account the regulations of each autonomous community regarding the obligation to connect to the supplementary equipotential network that the pool will have according to the complementary technical instructions of the low voltage electrotechnical regulation ITC-BT-31.



Connection to the additional potential equalisation network.

2.1 Pre-installation in pools with Skimmer type profile.

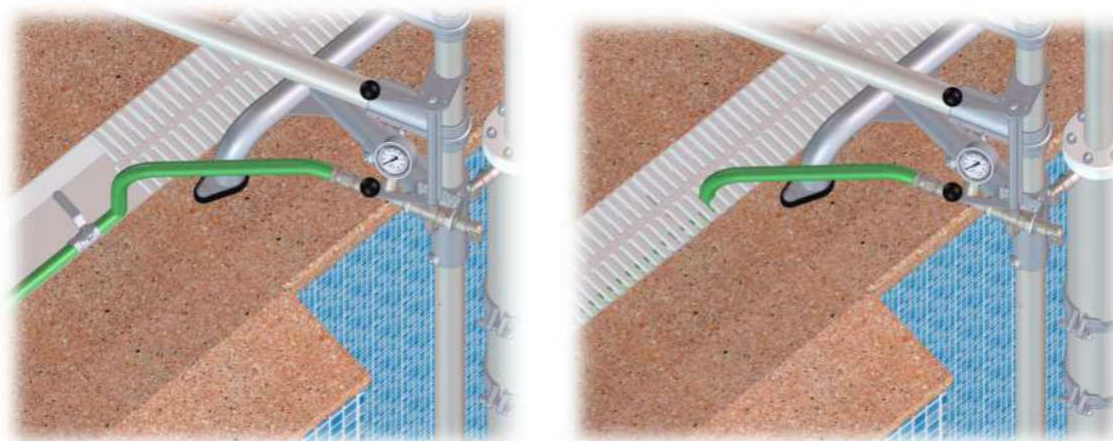
For greater aesthetics, maintenance and safety in the installation of the lift, it is recommended to install a manhole in the vicinity of the lift (shut-off valve and water inlet). As a guideline and depending on each pool, the pit should be built at an approximate distance of 150 mm from the nearest anchor point and 135 mm from the edge of the coping stone.



If you have any doubts about the pool profile, please ask for the "Skimmer pool profile dimension form". By completing this form, a compatibility analysis of the skimmer will be carried out and you will receive personal advice on the pool profile.

2.2 Pre-installation for pools with overflow channel profile.

For pools with an overflow channel profile, it is advisable to use the pool's own drainage channel in order to install the water inlet near the lift, together with a shut-off valve for the hydraulic system of the lift.



Recommendation to use a drainage channel in the pre-installation.

If you have any doubts about the pool profile, please also ask for the "Dimensions form for the overflow channel pool profile". By filling in this form, a compatibility analysis of the lift is carried out and you will receive personal advice on the pool profile.

3. Installation.

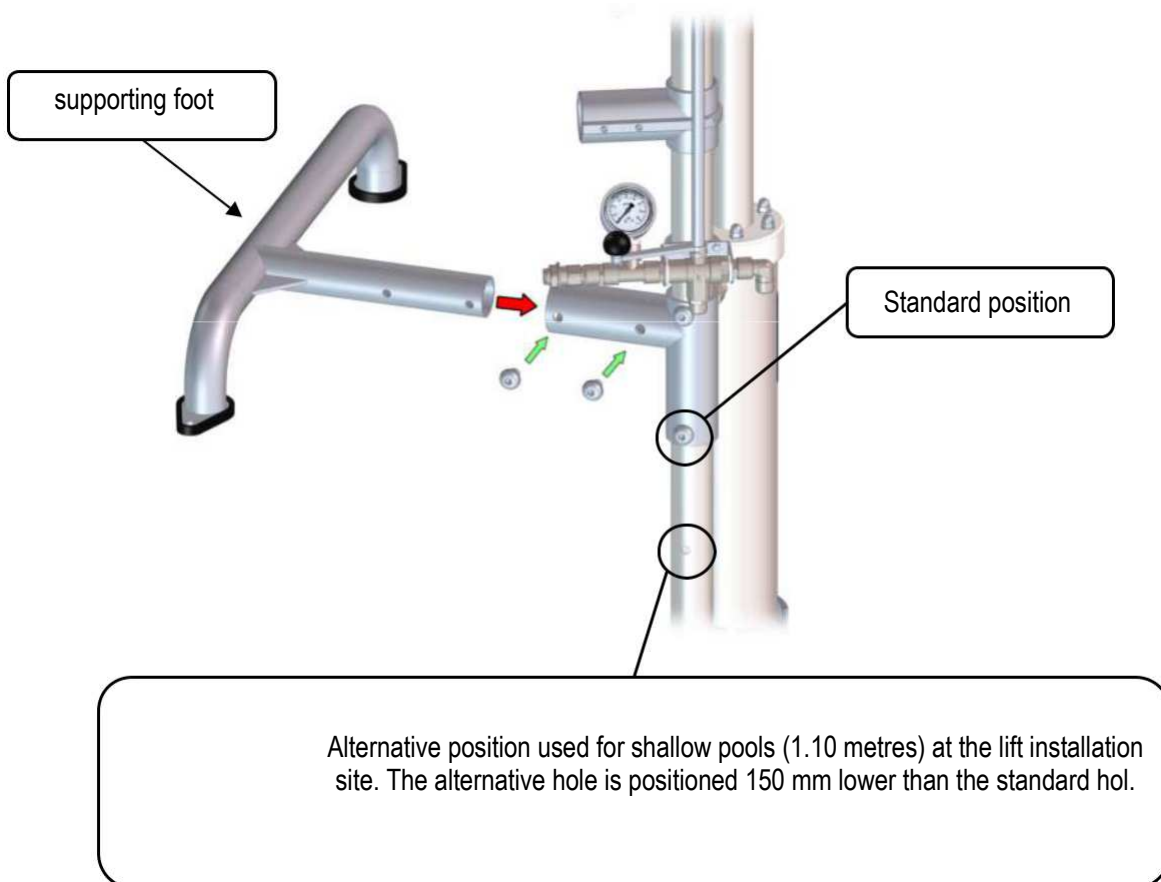
The following tools and materials are required for the installation of the METALU B-2 hoist:

- Hammer drill.
- 14 mm drill.
- Torx spanner (included in the delivery of the lift).
- Common tools:
 - Flat spanners 12-13 mm.
 - Spanner spanner.
 - Hexagonal Allen key set.
 - Pen or pencil for marking holes.
- EPOXI chemical anchor.
- Gun for applying the EPOXI chemical anchor.
- Level.

Important note: For those cases where the support foot cannot be anchored, the lift cannot be used for a load capacity of more than 120kg.

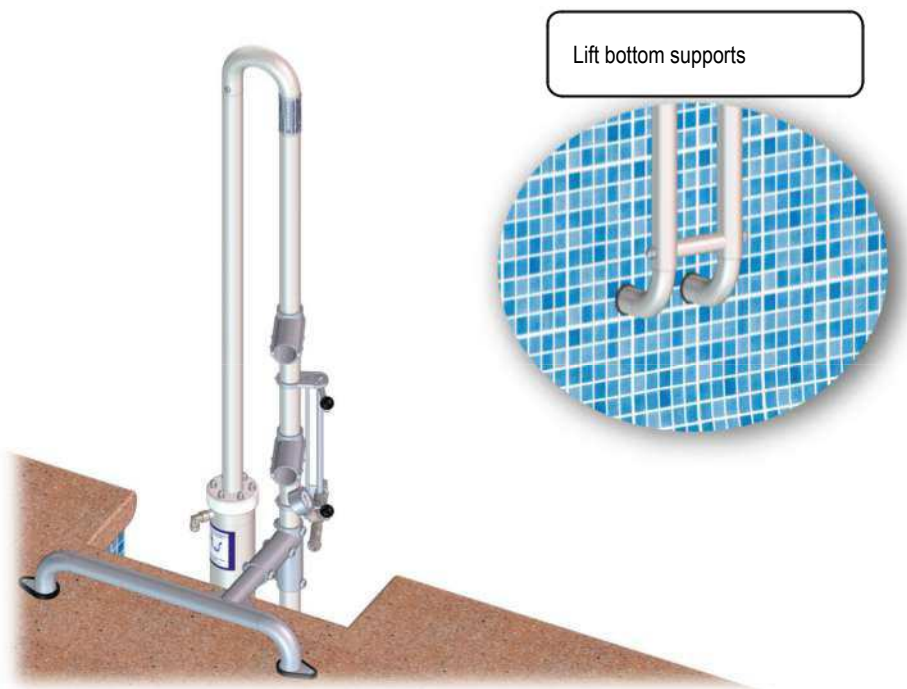
The steps for installation of the Lift are shown below. Carry out all steps and operations with the lift empty (unloaded):

Step 1. Insert the support foot into the shaft sleeve and screw in the corresponding screws.





Step 2. Choose the location and position the lifter making sure that the lower supports touch the inside wall of the pool.

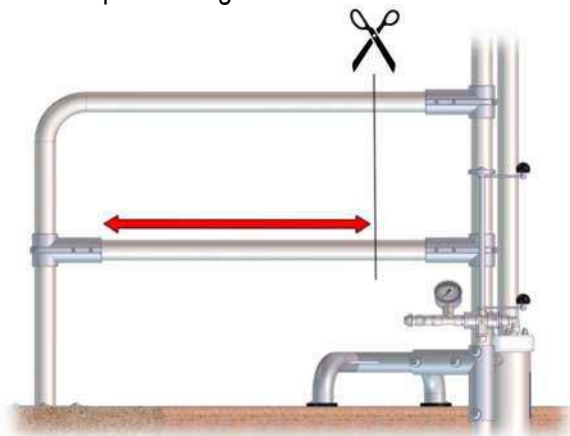


Step 3. Vertically level (plumb) the lift shaft while keeping the lower supports (step 2) resting on the inside wall of the pool.

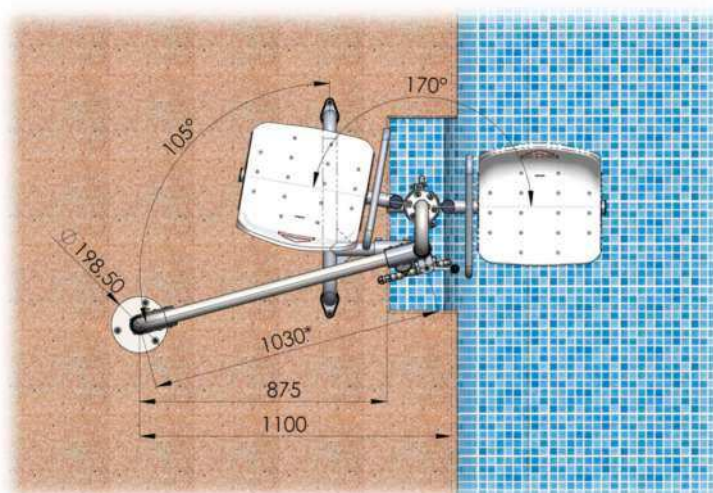


Check the previous step as many times as necessary before continuing.

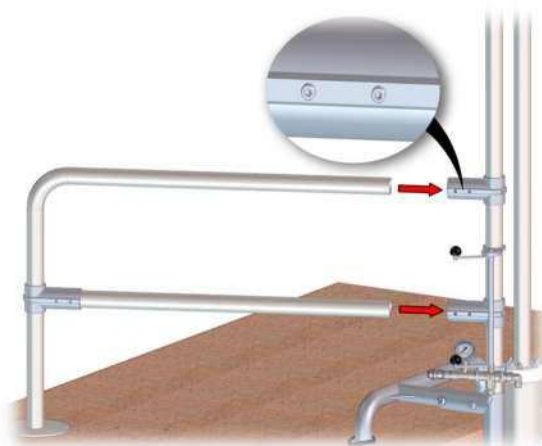
Step 4. The railing can be cut as the user deems necessary to adapt the lift to the pool. The railing must be cut before proceeding with the installation of the lift.



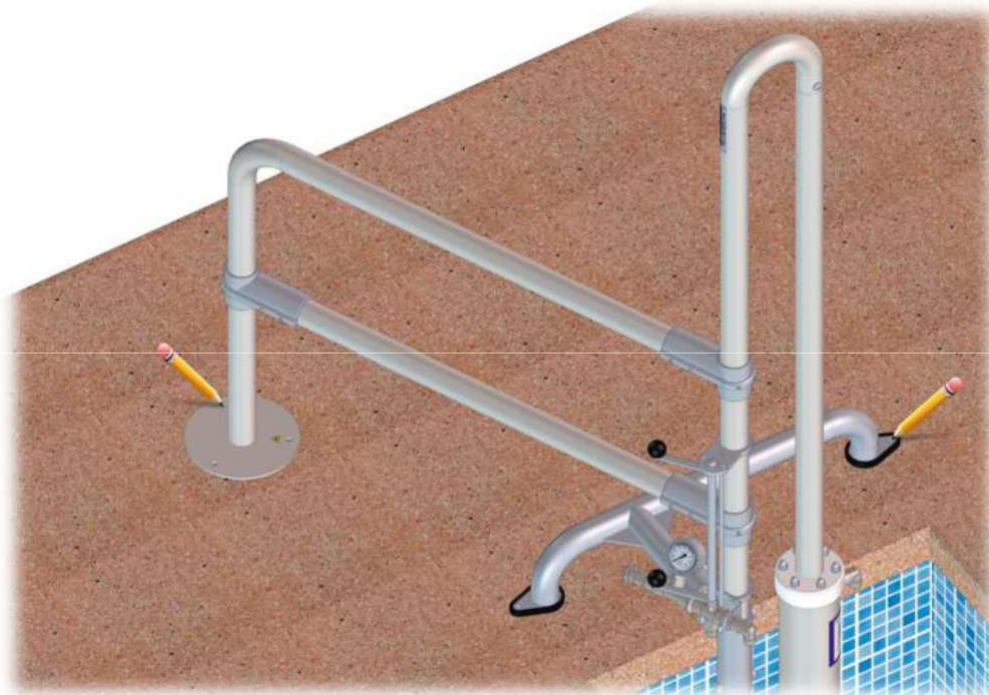
- The fixing angle of the railing is flexible, so the user can position it as he/she sees fit in the installation. As a general rule, it is usually installed at 105° to the plane of the internal wall of the pool.



- Once the length of the handrail has been decided, insert it into the sockets and tighten the screws.

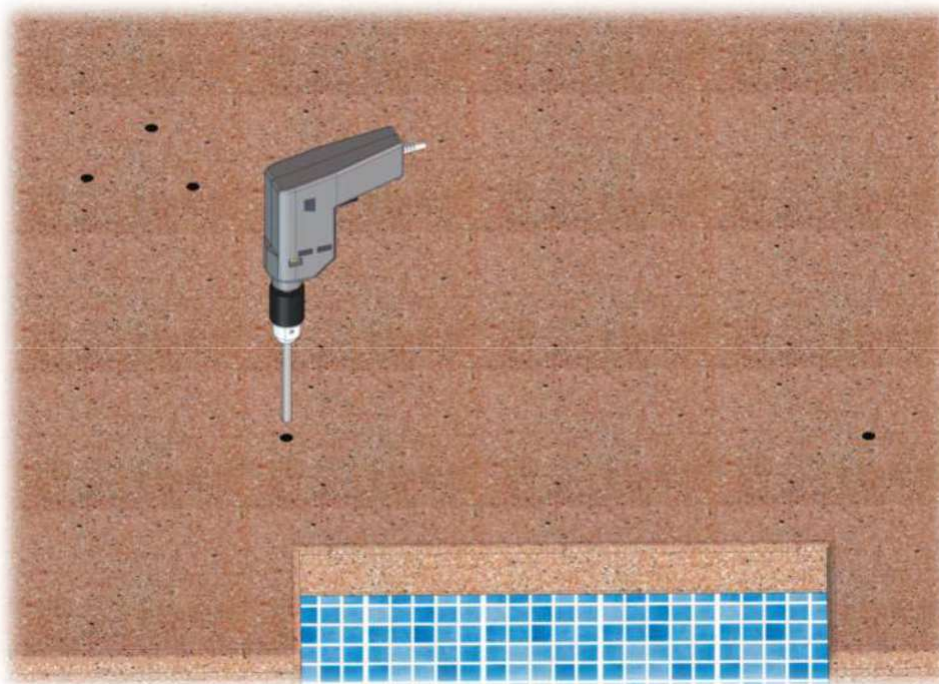


Step 5. Mark as accurately as possible the 5 holes (2 for the support foot and 3 for the railing) in the coping stone.



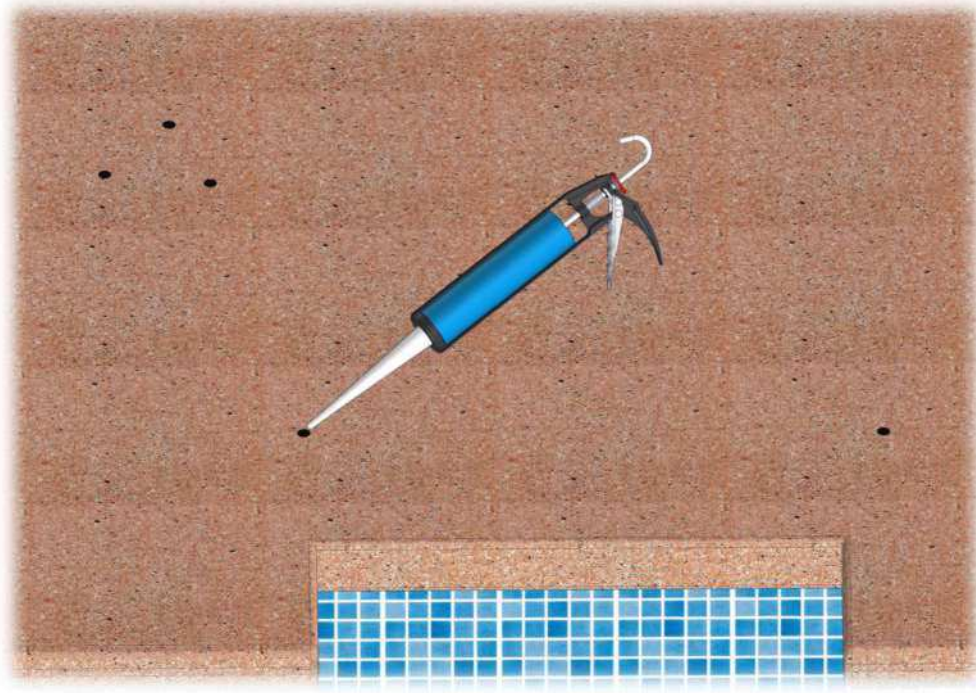
Check the previous step as many times as necessary before continuing.

Step 6. Using the 14 mm drill bit, drill the 5 marks in the coping stone. For safety reasons, we recommend that no bathers are present while drilling.

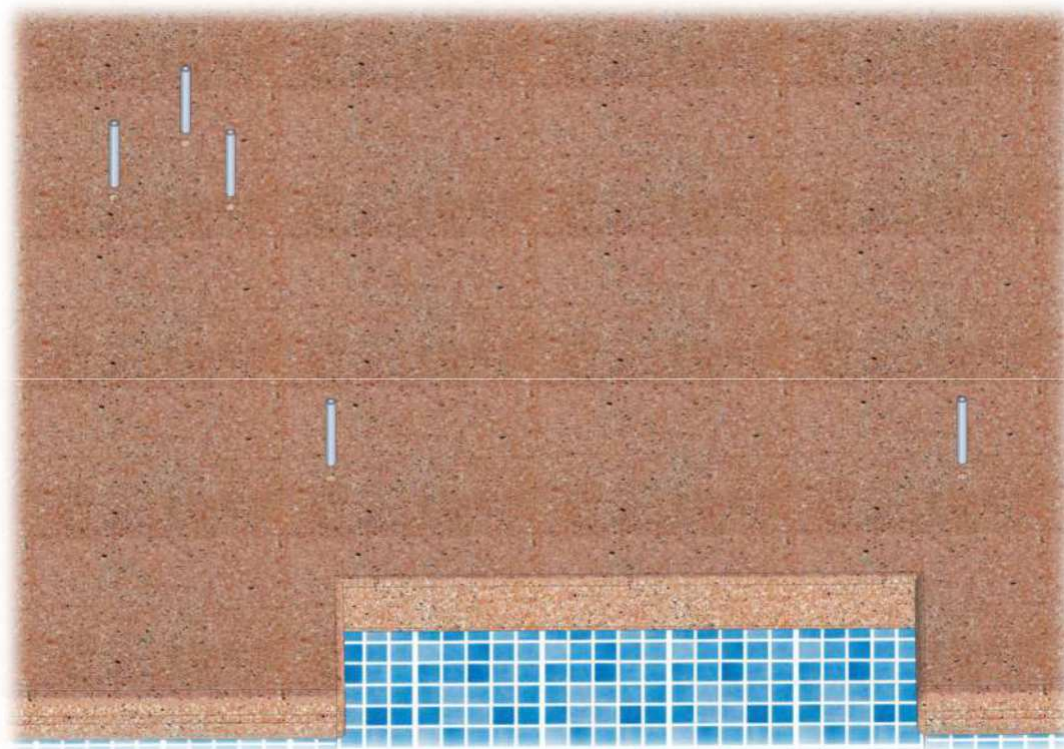


Thoroughly clean the dust generated by the drilling with air or water.

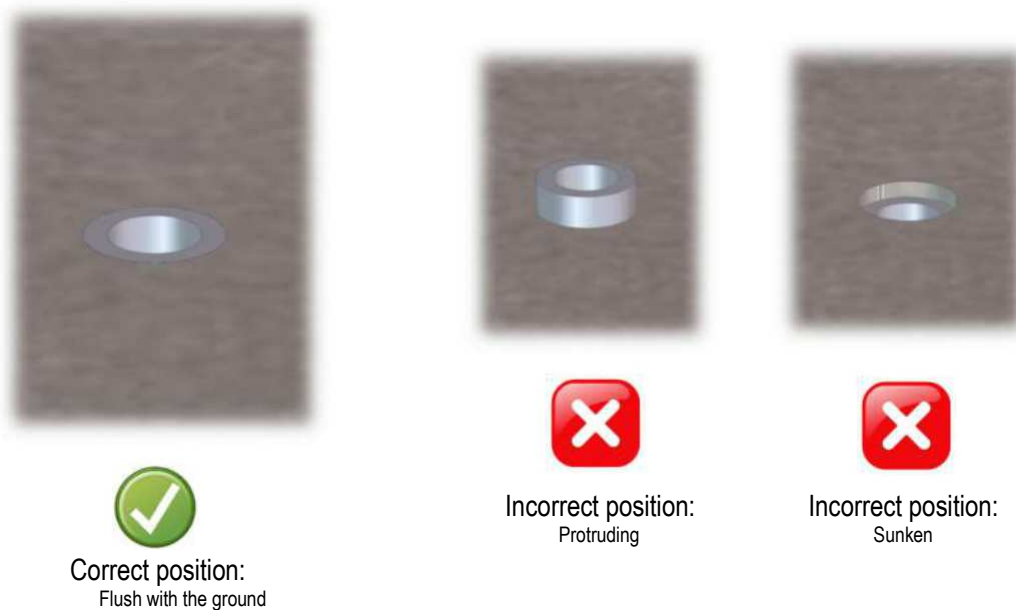
Step 7. Apply the EPOXI chemical anchor, filling approximately half of the drilled hole.



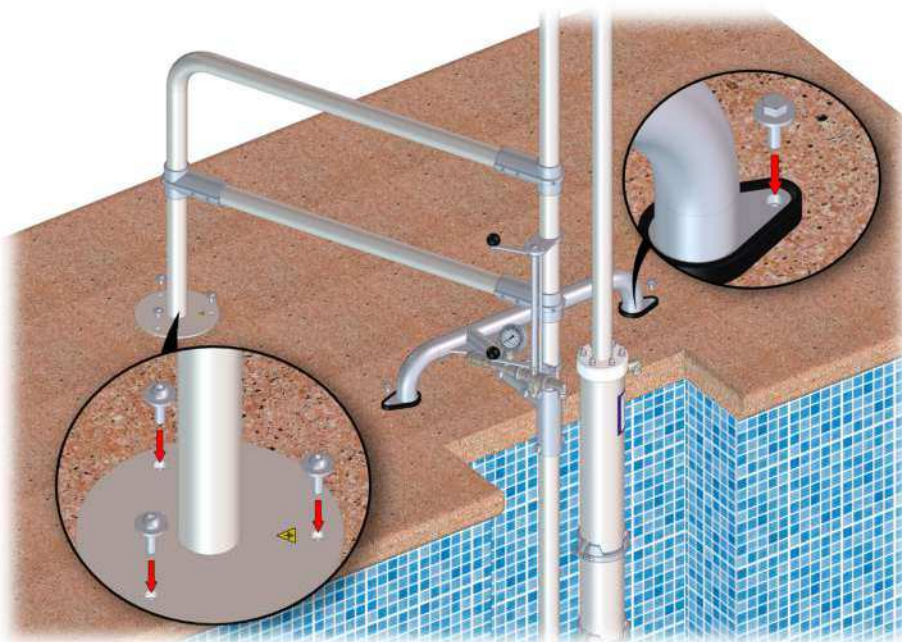
Step 8. Insert the 5 anchor plugs into the drilled holes, making sure that there are no obstacles in the holes. If necessary, re-apply the EPOXI chemical anchor to the sides of the holes to avoid creating air voids.



The anchor plugs must be **flush with the ground, neither protruding nor sunken**.

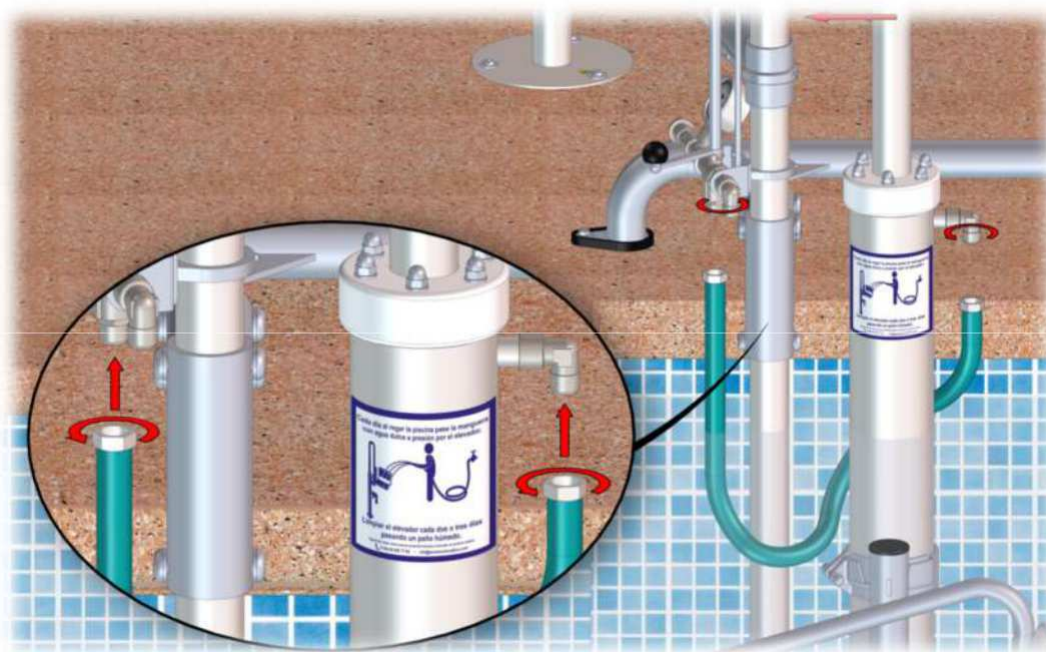


Step 9. Position the lift and screw in the relevant screws without tightening too tightly, then vertically level (plumb) the lift again as shown in step 3. Wait for the EPOXI chemical anchor to dry according to the manufacturer's instructions.



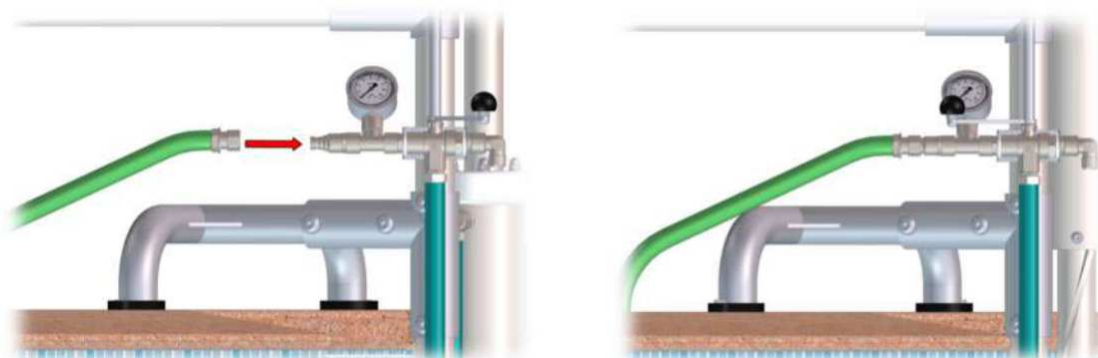
Step 10. Once the EPOXI chemical anchor has dried and everything has been checked that everything is correct, tighten the screws of the anchor and the handrail intensively.

Step 11. Fit the cylinder hose by inserting it between the gap between the cylinder and the axle (as shown in the picture below). One end is placed on the hydraulic system and the other end on the cylinder.

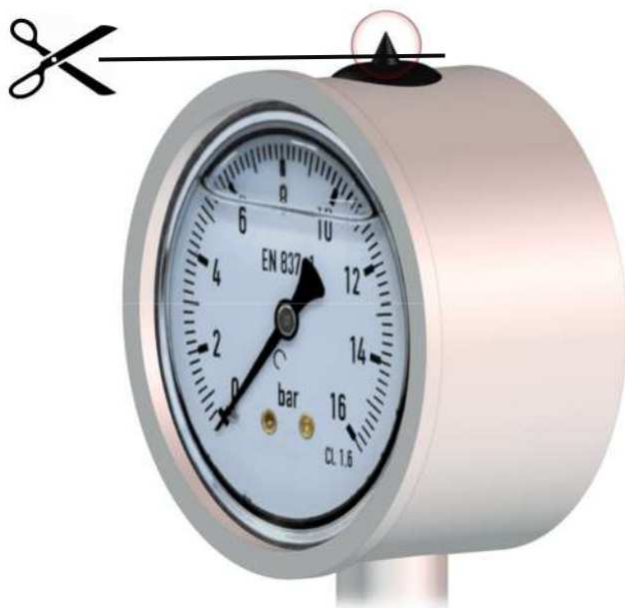


Step 12. Bleed the water connection before making the hydraulic connection.

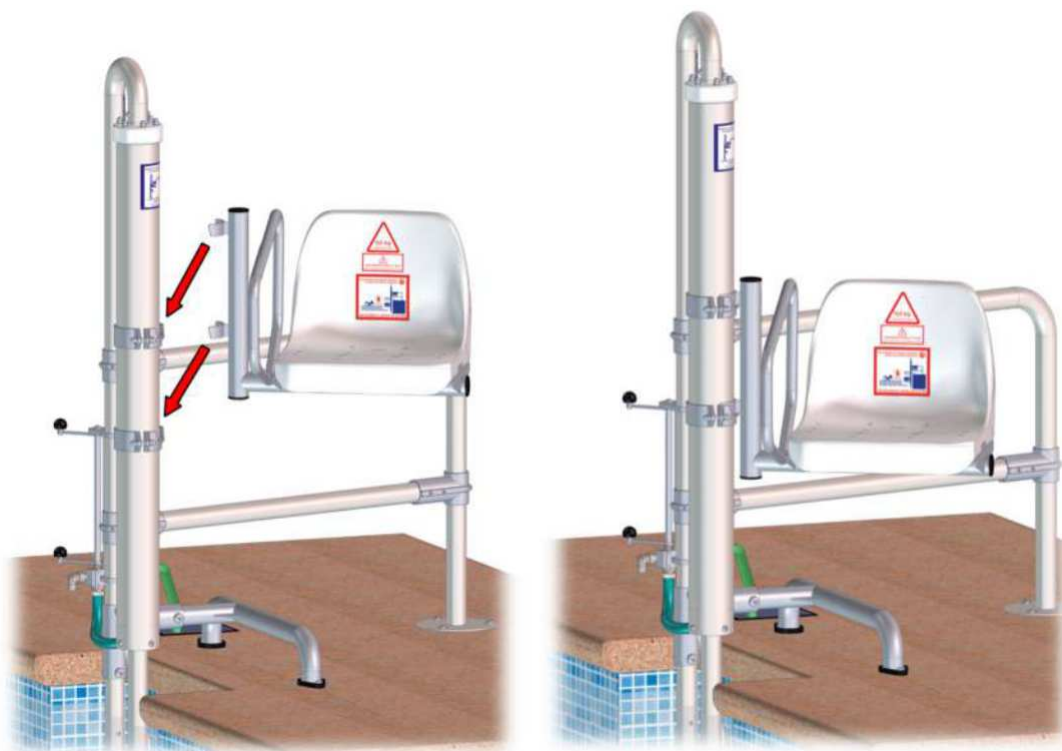
Step 13. Make the hydraulic connection. Connect the water connection to the single inlet of the hydraulic system.



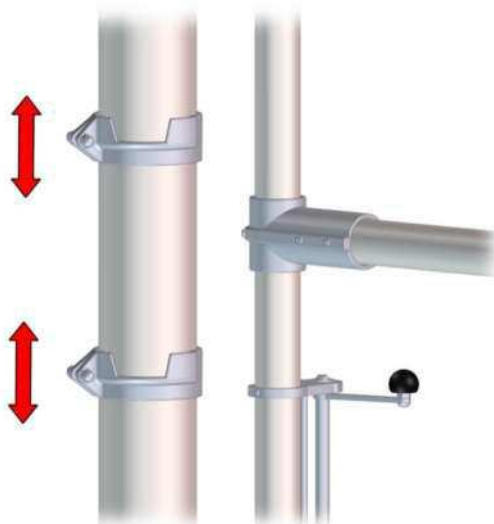
Step 14. Cut off the tip of the head that includes the pressure gauge. This cut is necessary for proper operation.



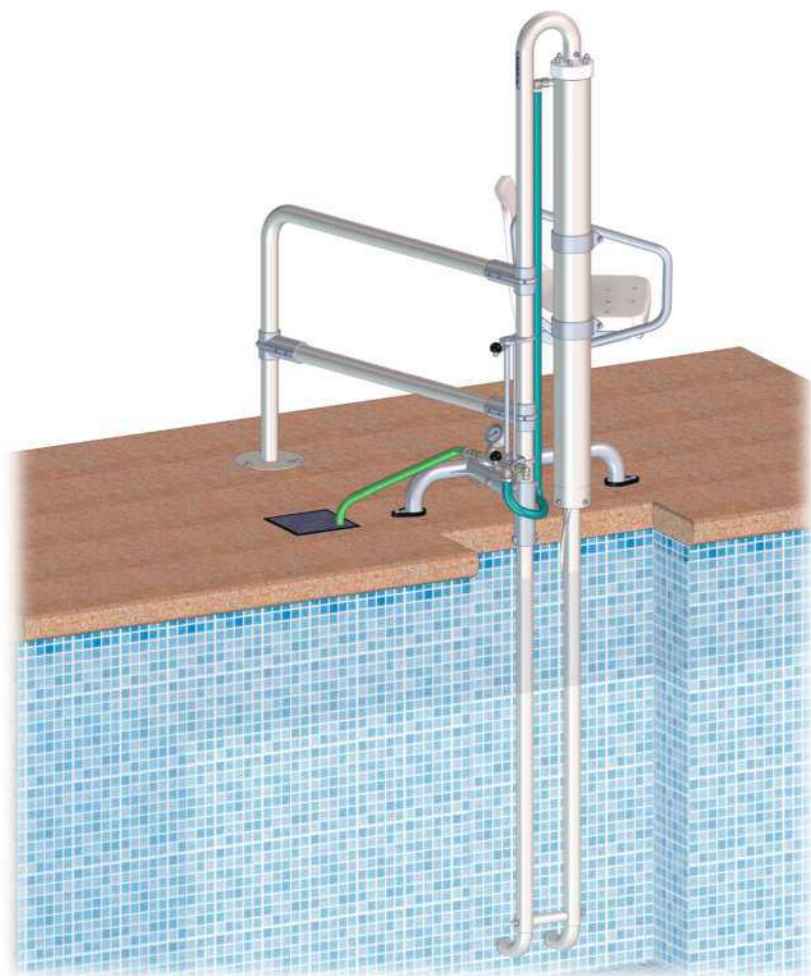
Step 15. Raise the lift to the user's pick-up position and place the wheelchair support in the wheelchair holder clamps on the cylinder.



Paso 16. Modify the seat height if necessary by moving the seat clamps on the cylinder.



After all installation steps have been completed, the lift should look as shown in the following picture.



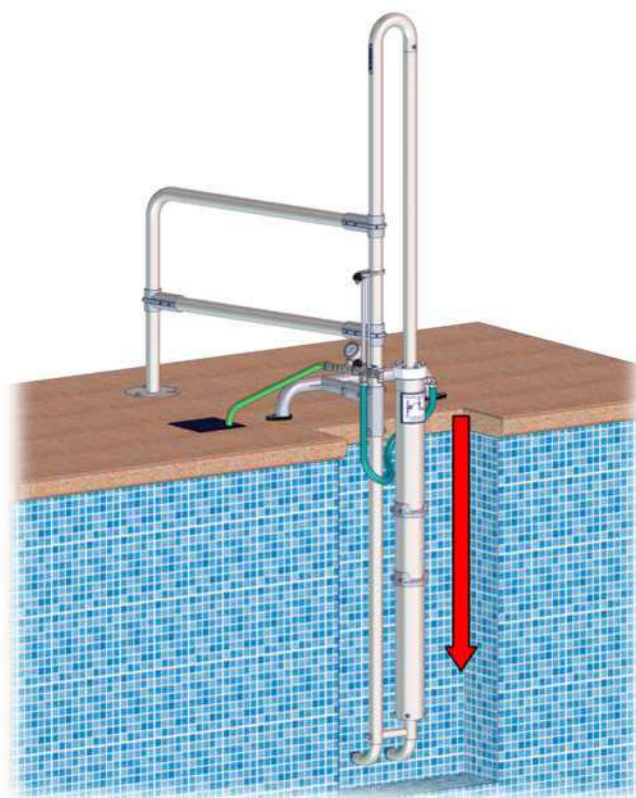
4. Disassembly and storage of the product.

To disassemble the METALU B-2 model lift, it is necessary to follow the following simple steps:

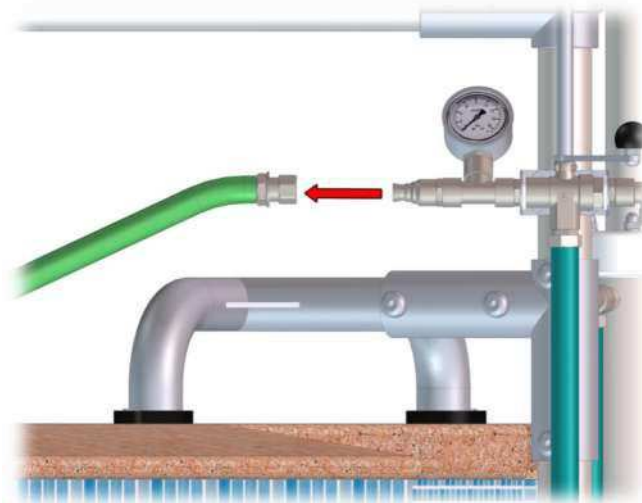
1. Raise the lift and unhook the seat support from the seat holder.



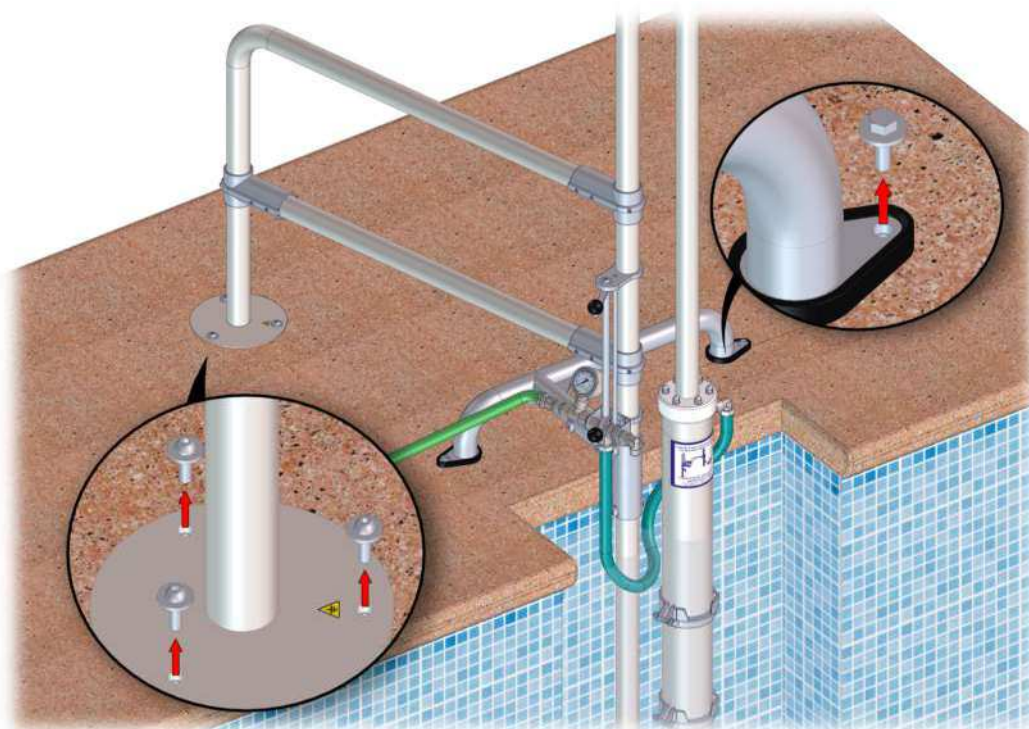
2. Lower the cylinder of the lift completely.



3. Disconnect the hydraulic system.



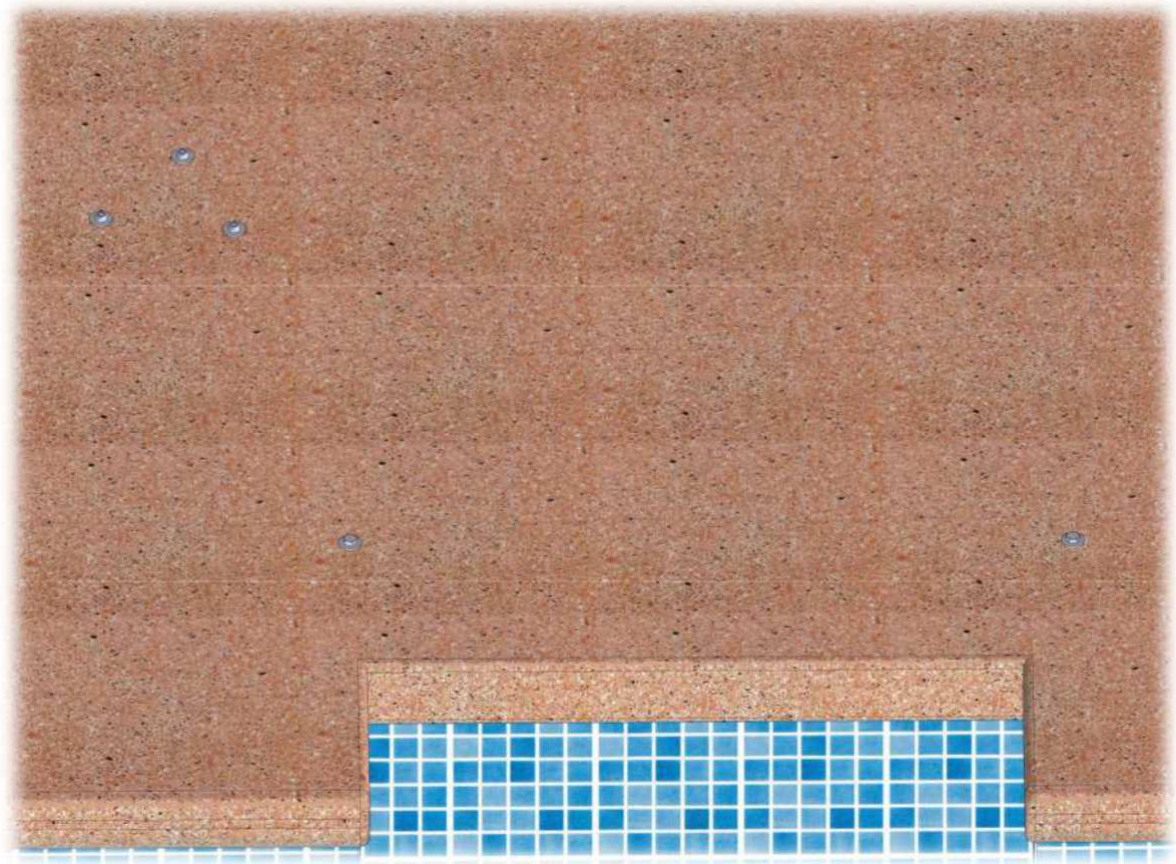
4. Unscrew the screws securing the lift.



5. Transport the lift to the storage room and store it in a safe, covered place where it will not be exposed to shocks or chemicals. Store the lift clean, dry and with the cylinder empty, i.e. at the bottom of the lift.



6. Fit the corresponding screws in the 5 anchor plugs to protect them and keep them in good condition during the time when the lift is not in use.



MANUFACTURAS METÁLICAS LUISIANERAS, S.L.

Hydraulic water lift model METALU B-2

Pre-installation and installation

Address: Polígono Industrial Los Motillos, C/ Madrid n.º 11 naves A, C, D, G, H, 41430.

Location: La Luisiana (Sevilla).

CIF: B – 41834508

Main phone number: +34 955 907 784

Website: www.poollift.com.es

Email: info@poollift.com.es

