

Metalu 3800



METALU[®]
poollift.com.es



Designed for above-ground (raised) pools with walls up to 1.50 m high.

Anchored to the floor and wall of the pool.

Includes: Footrest, safety belt and armrests.

METALU 3800

Assisted user

Vertical movement only

*Custom made on request

METALU 3800 Automatic

Autonomous user

Vertical and rotational movement

*Custom made on request

GENERAL CHARACTERISTICS METALU 3800

Lacquered Aisi 316 stainless steel device with electric mechanism (24 V. battery).

Composed of:

Base platform to anchor to the ground and wall, mast with pivoting arm.

Vertical prism

Electric mechanism:

Electric actuator 24 V. • Control box • Handheld controller
Battery • Battery charger • Protection I P 65

Operated from handheld controller.

2 batteries + charger.

Removable seat.

Armrest.

Lifting load capacity 120 kgs.

2 years warranty on the lift.

**5 years warranty on all spare parts
(except batteries, which are guaranteed for 2 years).**

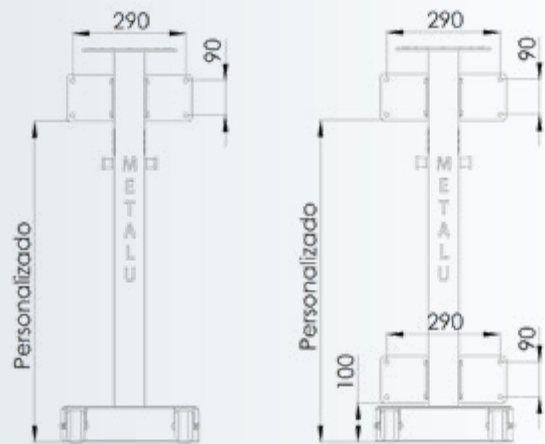
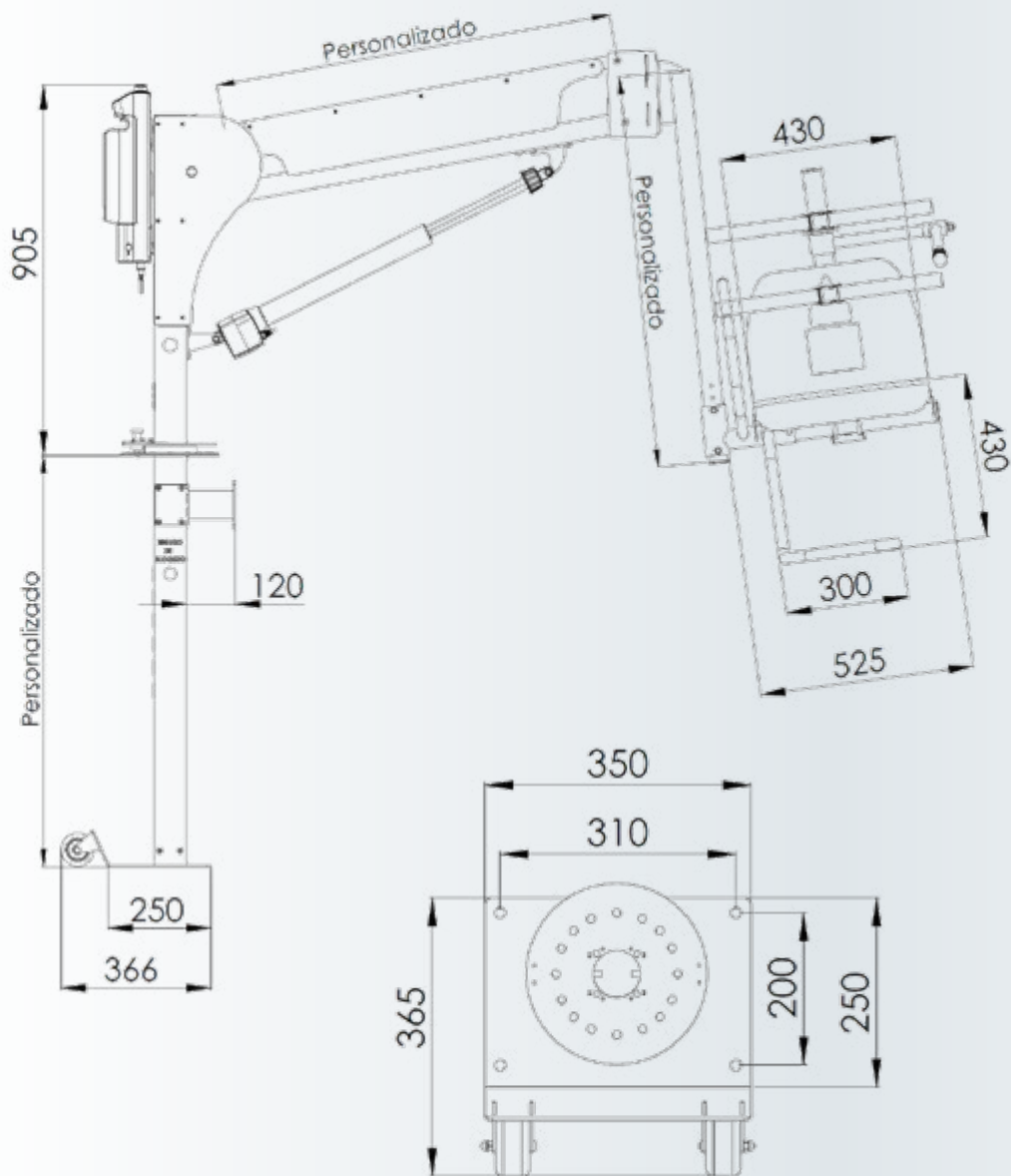
 Approx. 82 kg.



Metalu 3800

Custom made to be adapted to your swimming pool profile.

UNITS IN MILLIMETERS [MM]



GROUND AND WALL ANCHORING

DOUBLE ANCHOR TO THE WALL

