

METALU 3000

FIXED-REMOVABLE BATTERY POOL LIFT

DESIGNED FOR CONVENTIONAL POOLS WITH AN OVERF LOW EDGE OR SKIMMER, FOR POOLS WITH A STEP IN THE COPING ST ONE OF UP TO 0.45 M OR AN INTERNAL LEDGE.

FEATURES

Available in two versions:

- **For user autonomous.** Users can access the pool unaided thanks to the dual motor in the lift, vertical and rotational (**Metalu 3000 auto**).

- **User assistance required.** Users must be assisted by another person who rotates the crane because only vertical movement is controlled by a motor.

Elevators customized. Custom design options to suit all pool configurations, offering various arm lengths and seat positions.

Easy installation and transport. Installation only requires the base to be anchored to the floor and it comes with wheels for easy transport.

Made from Aisi 316L stainless steel with a powder coating for protection.

Accessories included: safety belt, additional folding arm and footrest.

ELECTRICAL MECHANISM

24V electric actuator / Control box / Handset Two batteries
Battery charger / IP65 protection.



STAINLESS
AISI 316L.



1,10 m
Seat travel
distance



120 kg
Lift
capacity



Ready for
use



360°
Rotation
radius



METALUGARANTEE

3 YEARS The lift

5 YEARS Spare



METALU 3000 HARNESS BAR

A harness can be used with this model.

Only the harness bar is included.

The harness is not included.

Only applicable for floor level pools.





TO BEAR IN MIND



BATTERY DURATION
25 / 30

When used properly, each battery should last for approximately 25-30 cycles. **Two-year battery guarantee.**



ADAPTABLE

Adaptable to other solutions.



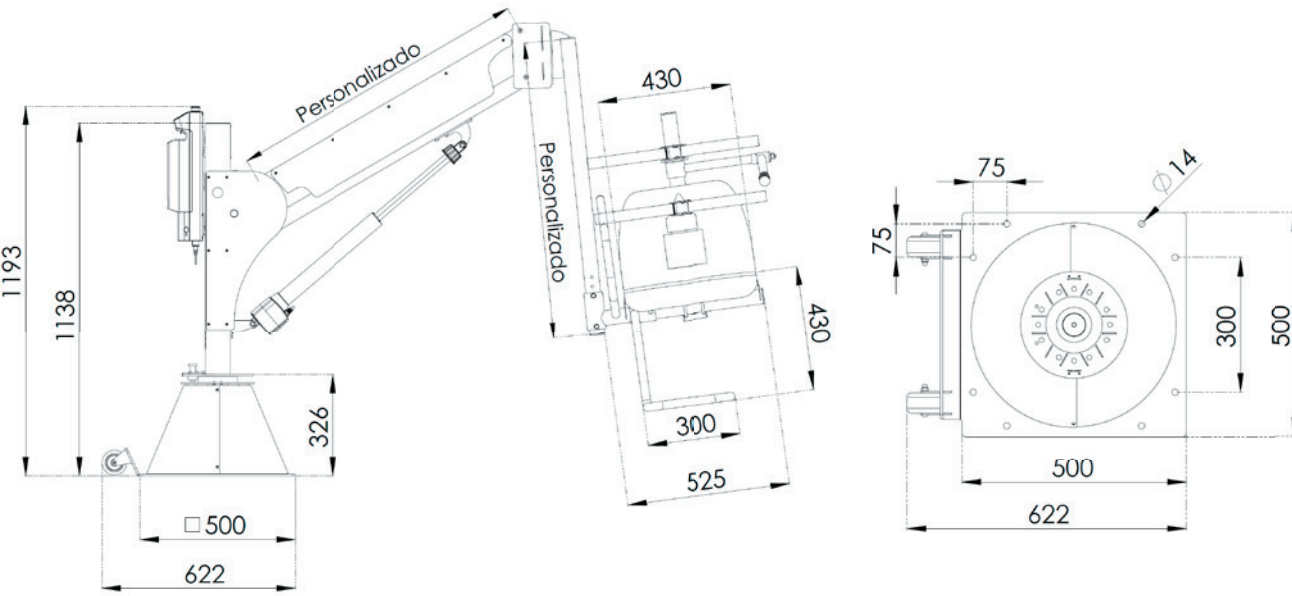
TWO BATTERIES

It comes with two batteries so that one can be charging while the other is in use.



4 / 5 HOURS

The batteries take 4-5 hours to charge.



Measurements in mm.

* The graphic image may not match the current model due to ongoing improvements.