

METALU 400

PORTABLE BATTERY POOL LIFT



METALUGUARANTEE

3 YEARS The lift

5 YEARS Spare

NO INSTALLATION REQUIRED.

This means it can be used anywhere in the pool and stored when not in use.



FEATURES

User autonomous. The user need only press the control buttons, which can be done from in or out of the water.

No installation. It just needs to be positioned where needed, avoiding the need to drill holes around the pool.

Portable. It can be moved easily over flat surfaces on its four wheels. The seat can also be removed.

Made from Aisi 316L stainless steel with a powder coating for protection.

Officially approved for lifting up to 120 kg or 150 kg.

Safety mechanism. Preventing the lift from being operated when disabled.

Includes: Footrest and folding armrest.



ELECTRICAL MECHANISM

24V electric actuator / Control box / Handset Two batteries
Battery charger / IP65 protection.



STAINLESS AISI 316L.



Seat travel distance



Net



Inc. packaging



Ready for use



123 x 82 x 147 cm





TO BEAR IN MIND



BATTERY DURATION
25 / 30



COVER

When used properly, each battery should last for approximately 25-30 cycles. **Two-year battery guarantee.**

Protective cover available (optional).



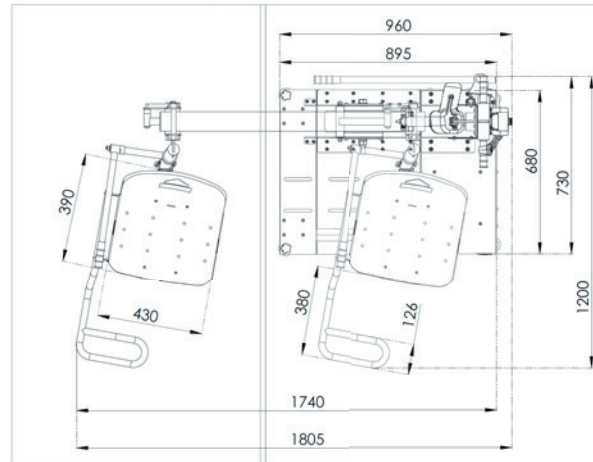
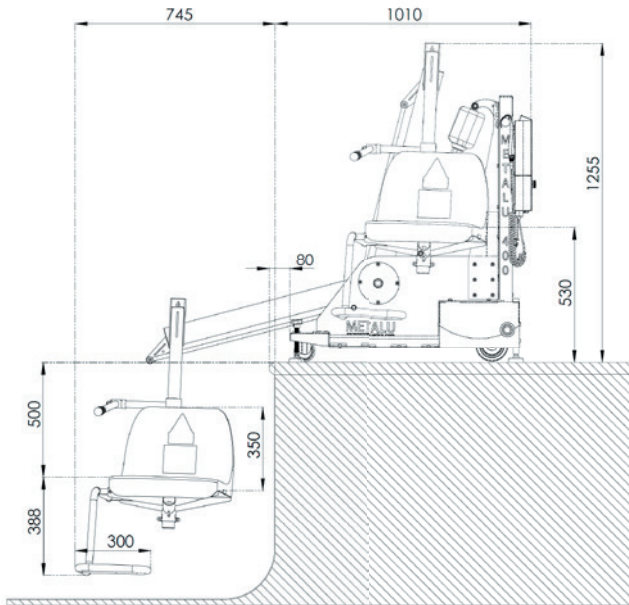
TWO BATTERIES



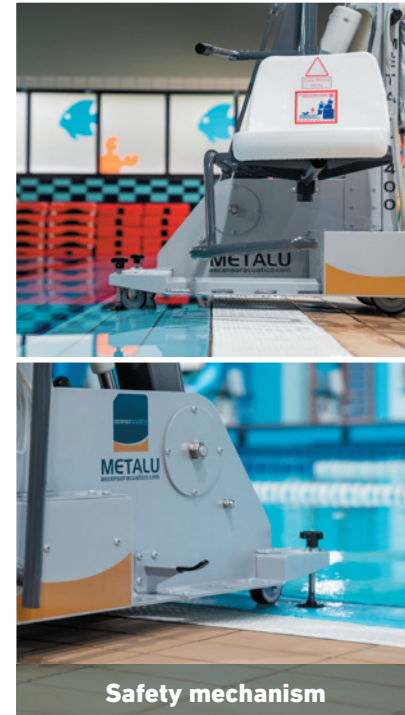
4 / 5 HOURS

It comes with two batteries so that one can be charging while the other is in use.

The batteries take 4-5 hours to charge.



User independence



Safety mechanism



Measurements in mm.

* The graphic image may not match the current model due to ongoing improvements.