

POOL LIFT METALU B-2

FIXED – REMOVABLE HYDRAULIC POOL LIFT



MANUAL AND CERTIFICATES



Table of contents

Manual and certificates of the lift	3
1. Manufacturer details.....	3
2. Functional characteristics.....	3
3. EC declaration of conformity	6
4. Identification plate	7
5. Warranty certificate	7
6. Certificate of commissioning	8
7. Installation certificate.....	9
8. Standard package components	10
9. Shipping components.....	11
10. Spatial dimensions of the lift.....	13
11. Proper use of the product and maintenance.....	16



Manual and certificates of the lift

1. Manufacturer details

Company name: Manufacturas Metálicas Luisianeras, S.L.

Address: Polígono Industrial Los Motillos, C/ Madrid No. 11, units A, C, D, G, H. 41430.

City: La Luisiana (Sevilla) – España.

Tax ID: B – 41834508

Main telephone: +34 955 907 784

Website: www.ascensoracuatico.com

Email: info@ascensoracuatico.com

2. Functional characteristics

The METALU B-2 model is a fixed removable pool lift that **independently** facilitates access to swimming pools for people with reduced mobility. It is the **most stable lift on the market**, as **the handrail and its five support points** provide the user with maximum safety and confidence. Manufactured in **AISI 316 stainless steel**, it has a load capacity of **up to 150 kg**. It is operated by a **hydraulic system** requiring a water pressure between **3.5 and 5.5 bar and features a dual valve control** to allow operation both from outside and inside the pool basin. The **seat is removable** to prevent improper use, and there is the option to incorporate additional accessories (auxiliary shower, footrest, armrest, safety belt, etc.).





Among the main characteristics of this product, the following points should be highlighted:

- Fully **independent user** operation.
- The **most stable lift on the market**, as the handrail and its five support points provide the user with maximum safety and confidence.
- **Fixed–removable**: it remains fixed throughout the bathing season and can be removed for storage during winter.
- **Dual control for operation both** from outside and inside the pool basin.
- **Use of DUPLEX-grade stainless steel fasteners**, a material with high mechanical strength and excellent corrosion resistance, superior to that of conventional stainless steels.
- **Removable seat** to prevent improper use.
- Adaptability (upon request):
 - Reverse rotation.
- Accessories (upon request):
 - Auxiliary shower.
 - Safety belt.
 - Folding armrest.
 - Folding footrest

The technical specifications of the METALU B-2 model are shown below.

Technical specifications METALU B-2	
Material	AISI 316 stainless steel
Maximum load capacity	150 kg
Pressure range	3,5 – 5,5 bar
Rotation angle	180°
Turning radius	0,70 m
Travel	1,06 m
Net weight	(29 + 11 + 8) = 48 kg
Packed weight	(36 + 15 + 13) = 64 kg
Lifting time without load (depending on pressure)	20 s
Lifting time with 85 kg load (depending on pressure)	25 s
Lowering time without load	42 s
Lowering time with 85 kg load	20 s
Water capacity in the cylinder	8 L
Minimum pool basin depth* in installation area	1,10 m
* Measured at the start of the pool cove radius	* 1,10 m



Main product standards.

- The manufacture and finishing of the lift comply with the following characteristics:
 - The entire structure and accessories are manufactured in **AISI 316 stainless steel**.
 - All metal finishes are free from edges that could **cause injury**.
 - All fasteners used **pose no risk**, as the lift is assembled with round-headed screws to prevent scratching or snagging the user.
 - Sufficient clearances have been provided in the moving parts to prevent any risk of **entrapment of limbs**.
- A standardised warning label indicating the **maximum load capacity** (150 kg) is included.
- The static coefficient has been taken into account and doubled in the calculation **of mechanical strength and tipping risk**.
- The movement speed of the moving parts is smooth and **below 0.1 m/s**, thereby preventing the risk of falling from the seat.
- Access to the pool basin is achieved by means of a seat with backrest, allowing a wheelchair user to **operate it independently**.
- The controls **can be operated by the user** and, if necessary, by an accompanying person, both from the poolside area when accessing the pool and from inside the basin when exiting it.
- The seat is positioned at a **height between 0.45 and 0.50 m above ground level**.
- In the raised resting position, **the seat remains parallel to the pool basin**, maintaining a minimum distance of **0.40 m from the seat axis to the pool edge**. A lateral transfer space is provided, parallel to the seat and on the side opposite the basin, measuring **0.80 m in width and 1.40 m in length**. The transfer space begins **0.30 m before the seat backrest**, is free from obstacles and provides sufficient surrounding space to allow the user to manoeuvre their wheelchair and approach safely.
- The seat is fitted with an armrest on the side opposite the transfer area.
- The lift must be installed near one of the access ladders to the pool basin and in an area with a **depth between 0.80 and 1.20 m**, in case assistance is required for a person with disabilities and/or reduced mobility while using it.
- The person seated on the lift **rotates 180° from the poolside over the pool basin and then lowers into the water**. This operation is repeated in reverse to exit the basin.



3. EC declaration of conformity



EC DECLARATION OF CONFORMITY

The undersigned, representing the company:

- **Company name:** Manufacturas Metálicas Luisianeras, S.L.
- **Tax ID:** B – 41834508.
- **Address:** Polígono Industrial Los Motillos, C/ Madrid No. 11m units A, C, D, G, H. 41430.
- **City:** La Luisiana (Sevilla) – España.

Product description:

- **Model:** METALU B-2.
- **Type:** Pool lift with hydraulic lifting and rotation movements designed to facilitate access to and exit from swimming pools for persons with reduced mobility.
- **Capacity:** Lifting capacity 150 kg

Provisions with which the machine complies.

The machine complies with the provisions set out in Directive 2006/42/EC of the European Parliament and of the Council of 17 May 2006 on machinery.

Harmonised standards and technical specifications applied.

- **UNE-EN 61310-1:2008.** Safety of machinery. Indication, marking and actuation.
Part 1: Requirements for visual, audible and tactile signals.
- **UNE-EN 61310-2:2008.** Safety of machinery. Indication, marking and actuation.
Part 2: Requirements for marking.
- **UNE-EN ISO 12100:2012.** Safety of machinery. General principles for design.
Risk assessment and risk reduction.
- **UNE-EN 547-3:1997+A1:2008.** Safety of machinery. Human body measurements.
Part 3: Anthropometric data.

Luisiana, 14 november 2014

Fdo. D. Manuel Escalera Soler.

Managing director



4. Identification plate

The product shall bear a legible and indelible identification plate engraved with the following information:

- Name and address of the manufacturer.
- CE conformity marking.
- Year of manufacture.
- Serial number.

ASCENSOR ACUATICO	METALU	CE
AÑO DE FABRICACION	<input type="text"/>	<input type="text"/>
Nº DE SERIE	<input type="text"/>	<input type="text"/>
MANUFACTURAS METALICAS LUISIANERAS S.L.		
WWW.ASCENSORACUATICO.COM		
C/ MADRID, 11 41430 LA LUISIANA (SEVILLA) SPAIN		
TFN. (+34) 955 90 77 84		

5. Warranty certificate

Manufacturer: Manufacturas Metálicas Luisianeras, S.L.

Product: Pool lift “METALU B-2”. Hydraulic assistant.

Serial number:

Date of delivery:

General conditions:

- **Duration and scope of warranty:** The warranty period is three years against any functional defect and five years against any material defect.

Customer details:

Customer:

Address:

Contact person:

Telephone:

Company signature:



6. Certificate of commissioning

Main details of the manufacturing company:

- **Company name:** Manufacturas Metálicas Luisianeras, S.L.
- **Tax ID:** B – 41834508.
- **Address:** Polígono Industrial Los Motillos, C/ Madrid No. units A, C, D, G, H. 41430.
- **City:** La Luisiana (Sevilla) – España.

Product description:

- **Model:** METALU B-2.
- **Type:** Pool lift with hydraulic lifting and rotation movements designed to facilitate access to and exit from swimming pools for persons with reduced mobility.
- **Capacity:** Lifting capacity 150 kg.

Technical construction file endorsed by the Association of Technical Engineers and Expert Surveyors of Seville.

This document certifies that:

1. The competent technician (Jesús León Delis, registered member No. 10061) certifies **the assembly, commissioning and entry into service of the product described above.**
2. The manufacture and assembly of the lift have been carried out in accordance with the technical project and its assembly drawings.
3. The design and manufacture have been carried out in accordance with current Spanish regulations relating to machinery safety, taking into account the following harmonised standards UNE-EN 61310-1-2008, UNE-EN 61310-2-2008, UNE-EN ISO 12100-2012, UNE-EN 547-3-1997+A1:2008.
4. The pool lift is supplied with the CE marking, and therefore its design and manufacture comply with the regulations of the European Economic Community.

La Luisiana, 14 november 2014.

The competent technician:

Jesús León Delis

Registered No. 10061

The manufacturing company:

Manuel Escalera Soler



7. Installation certificate

Installing company:

Declares: that the lift has been installed in accordance with the instructions provided by the manufacturer.

Product: Pool lift “METALU B-2”. Hydraulic assistant.

Serial number:

Date of installation:

Place of installation:

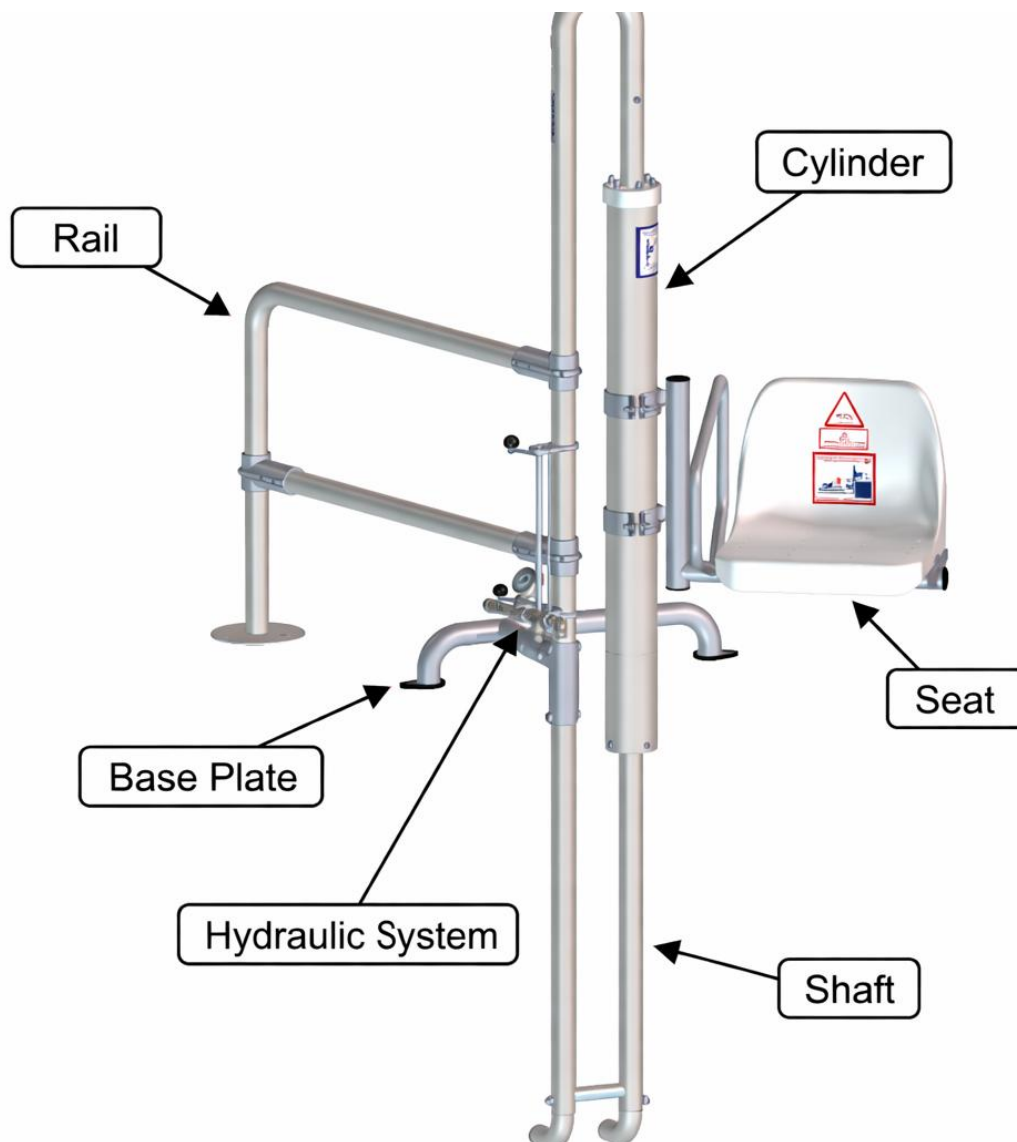
Name of installer:

Installer's ID number:

Installer's signature:

8. Standard package components

The standard package of the METALU B-2 model consists of the components shown in the following figure.

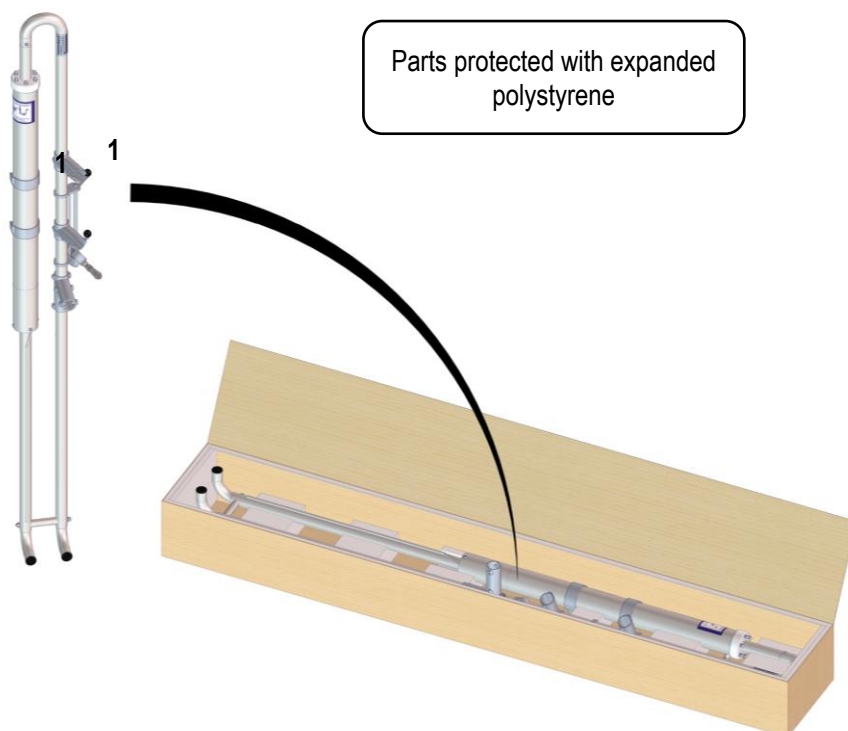


General components of the standard package.

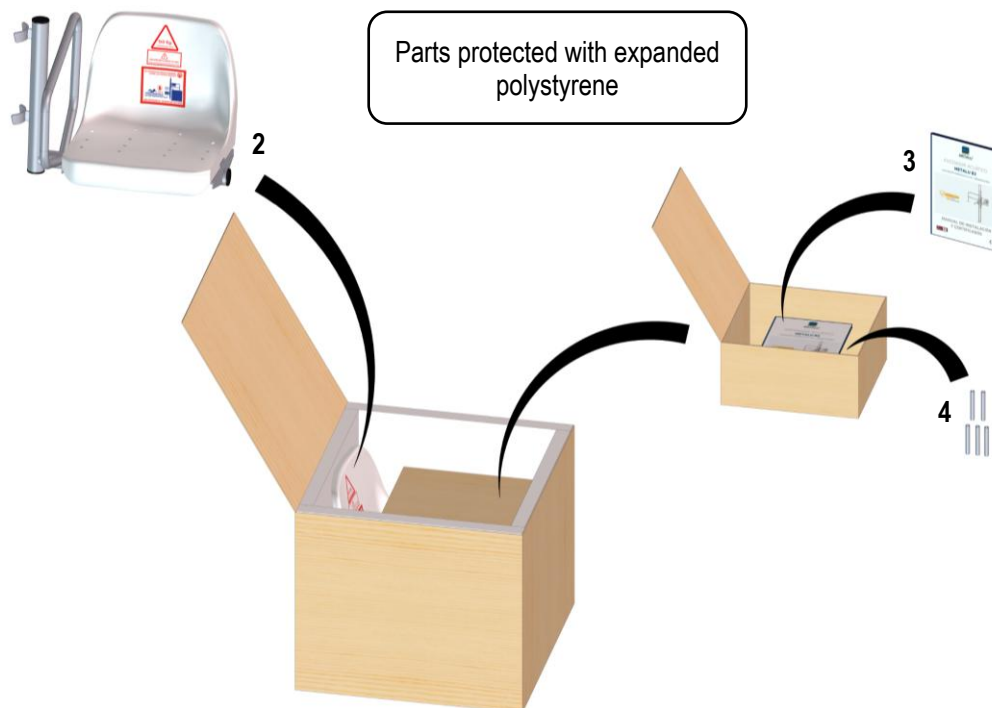
9. Shipping components

The shipping components of the lift's standard package are supplied to the customer in separate packages.

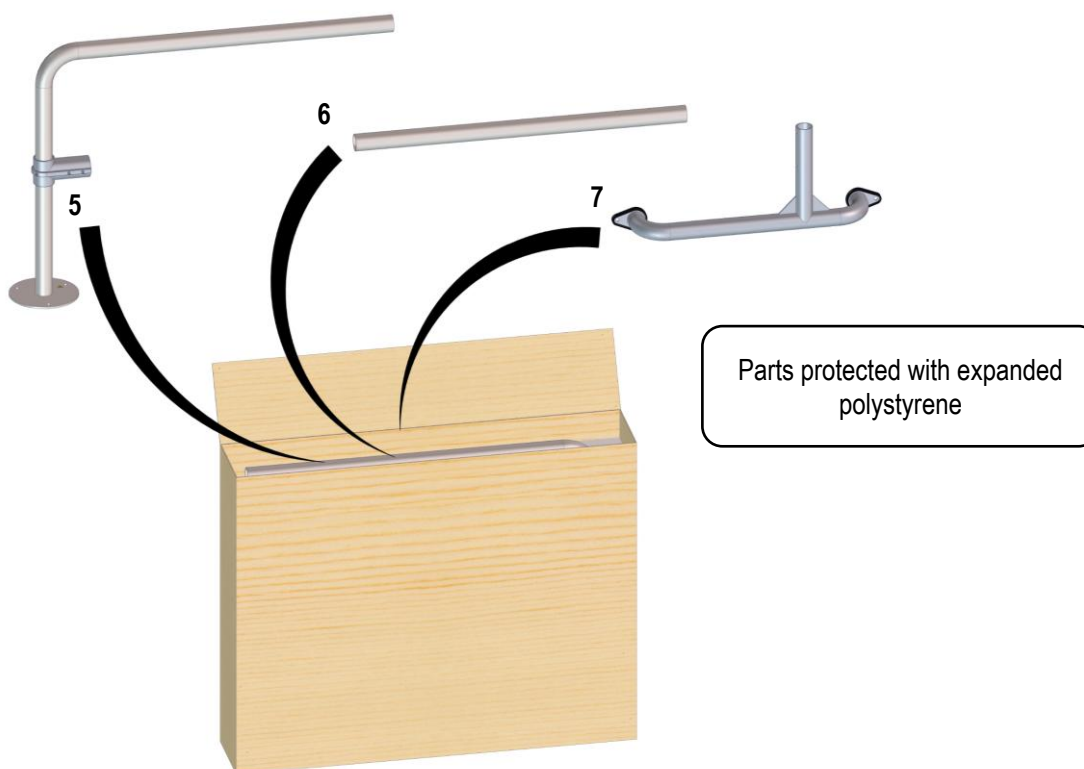
Shipping components for the standard order				
Order type		Weight [kg]	Dimensions (width, height, length) [mm]	Contents
Standar order	Package 1	36	435 x 270 x 2840	1. Cylinder and shaft assembly
	Package 2	13	720 x 600 x 680	2. Seat
				3. Documentation: <ul style="list-style-type: none"> • Manual and certificates • Pre-installation and installation.
				5. Anchor plugs (5 units)
	Package 3	15	905 x 220 x 1150	5. Handrail
				6. Auxiliary handrail
				7. Support leg



Contents of package 1 of the METALU B-2 model.



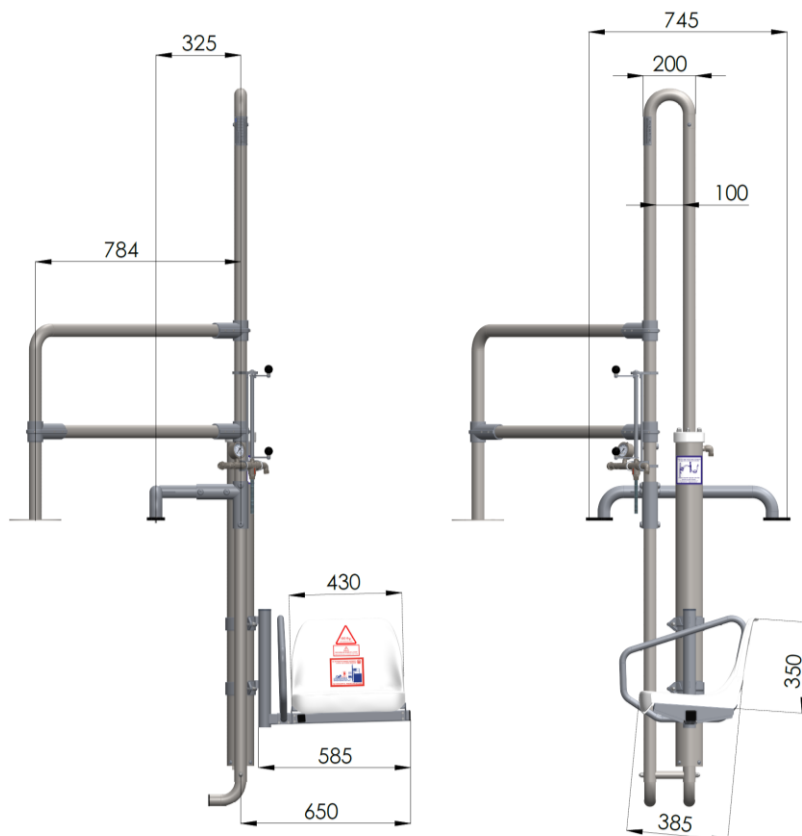
Contents of package 2 of the METALU B-2 model.



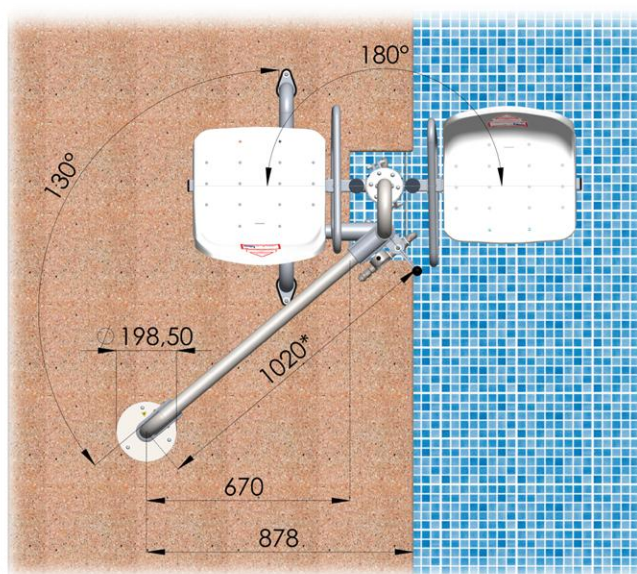
Contents of package 3 of the METALU B-2 model.

10. Spatial dimensions of the lift

General dimensions of the lift in its lowest position, front view. Units in millimetres [mm].



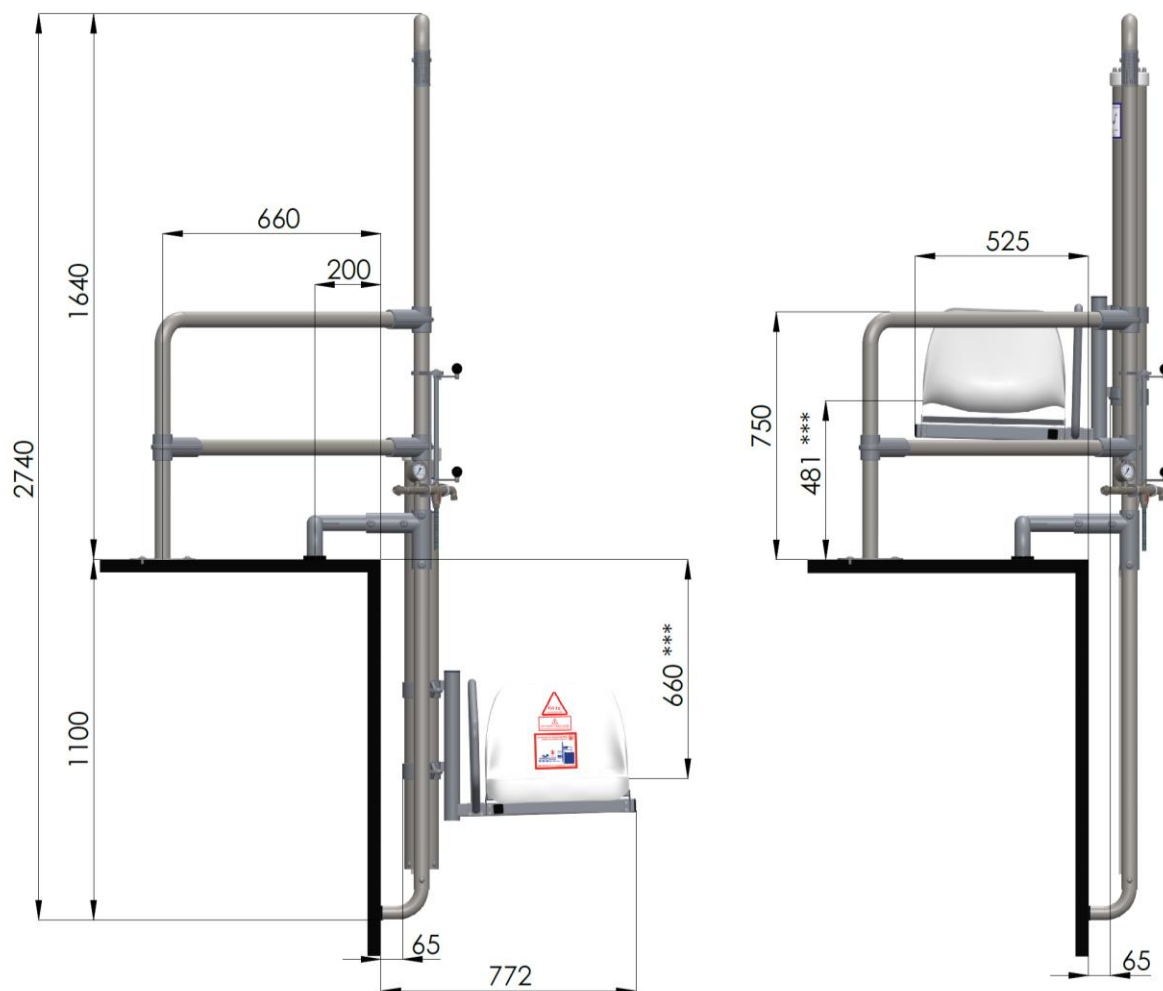
General dimensions of the lift, plan view. Units in millimetres [mm].



* The original length of the handrail is 1020 mm; however, it can be cut to the length required by the user. For further information, see the document "Pre-installation and installation" for the METALU B-2 model.

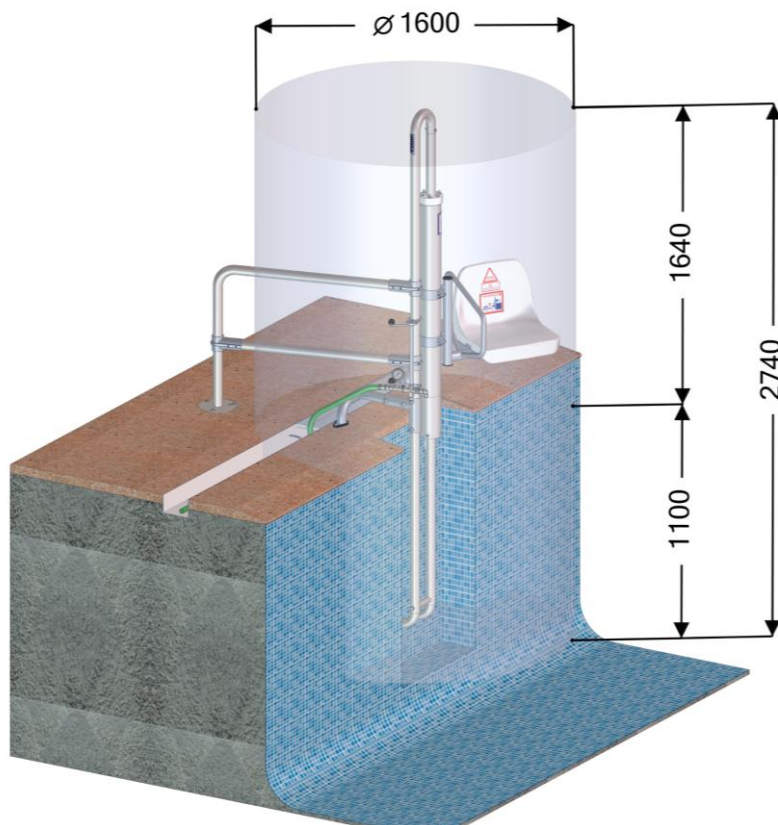


Dimensions of the lift positioned in a standard pool profile, both in its lower and upper positions. Units in millimetres [mm].

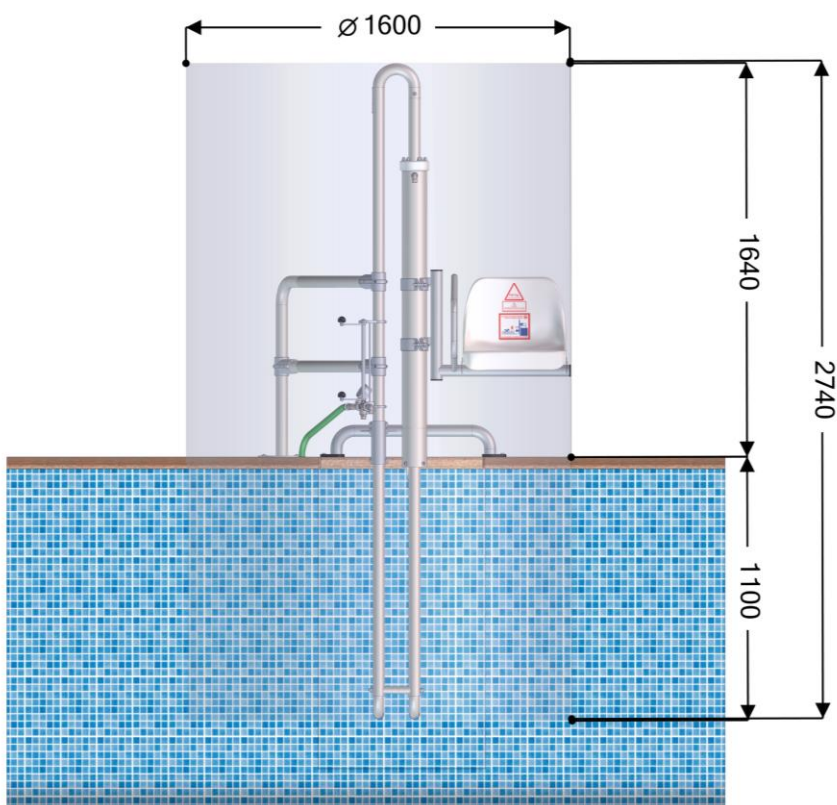


*** The seat height can be adjusted by changing the position of the cylinder clamps.

Dimensions of the three-dimensional operating space of the lift (3D view).



Dimensions of the three-dimensional operating space of the lift (front view).





11. Proper use of the product and maintenance

To ensure proper use of the product and correct maintenance that significantly extends its service life, the following points are recommended:

- Proper use of the lift:
 - Use the lift responsibly, ensuring that its function and purpose are understood before operation.
 - The lift must not be used unless the relevant commissioning steps have been carried out. Review the assembly and installation instructions provided in the manual.
 - The lift must only be used by persons authorised by the establishment.
 - The user's position is the seat, where it is mandatory to sit upright and centrally. From this position, the operating controls can be easily accessed.
 - Before operating the lift, the user must ensure that no person or obstacle is within the movement range of the lift's moving parts.
 - Once the user is inside the pool, the seat must be returned to its initial position, thereby preventing the lift from becoming an obstacle to other users in the pool.
 - The maximum load capacity of the lift, and therefore of the user, is 150 kg.
 - It is prohibited for more than one person to use the lift at the same time, even if the combined weight is less than 150 kg.
 - It is prohibited to use the lift as a play platform, for jumping, etc.
 - The seat is designed in accordance with European anthropometric standards.
 - Follow the visual indications provided by the product.
 - The mains water pressure supplying the lift's hydraulic system must be maintained between 3.5 and 5.5 bar. It must never exceed 5.5 bar.
 - Use clean mains water for operation of the lift. If well water or other water containing impurities is used, appropriate filters must be installed.



- Maintenance:
 - **Clean the lift structure daily** with abundant fresh water under pressure to ensure that no external particles remain on the surface. Then dry with a cotton cloth.
 - In order for the warranty to remain valid, it is mandatory to connect the lift to the **supplementary equipotential bonding network (earth connection)**.
 - The lift installation area must have suitable environmental conditions to prevent staining of the pool lift:
 - a) Properly regulate **ambient humidity levels**.
 - b) Properly regulate the **ventilation system** of the surrounding area.
 - c) Properly regulate the **pool water parameters**, maintaining them within the recommended levels: pH, chlorine and/or salt (including during winter periods).
 - If the lift is not used for several weeks, **operate it at least once per week** with a medium load (approximately 75 kg), performing several full lifting and lowering cycles. This will help keep the internal areas of the cylinder clean.
 - During periods of non-use, **store the lift** in a covered location with suitable environmental conditions to prevent staining:
 - a) Properly regulate the **humidity levels** of the room.
 - b) Properly regulate the room **ventilation system**.
 - c) Properly regulate the room **temperature**.
 - d) Avoid placing the lift near **chemical or toxic products**.
 - **The lift must be stored** clean and dry, with the cylinder empty (seat in the lower position), and in a location where it will not be subject to impacts.
 - Periodically **check that all parts of the lift are in good condition** and that all screws and nuts are properly tightened. If any component is damaged, do not use the lift until it has been replaced. These inspections must be carried out more frequently in indoor pools.

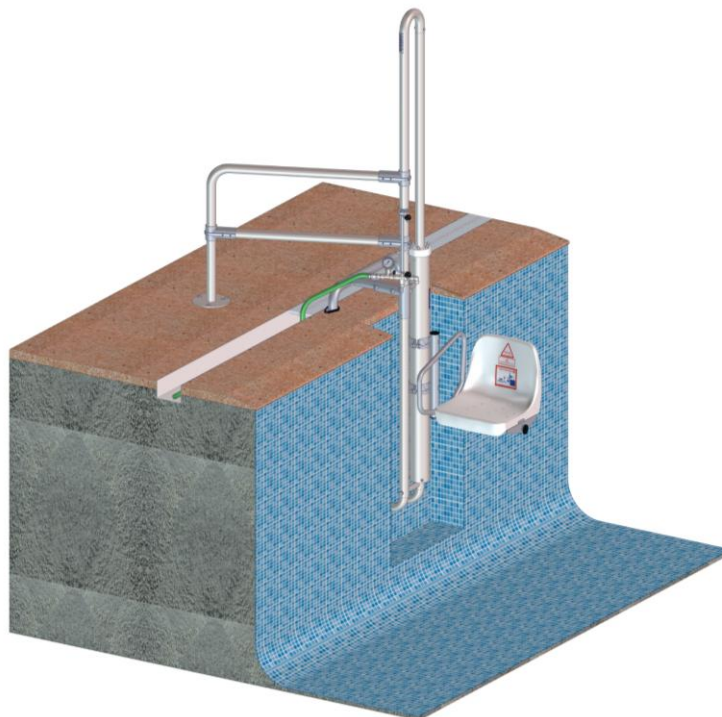
INDOOR POOLS: maintenance, and particularly cleaning, must be much more rigorous in indoor pools due to atmospheric conditions, temperatures and the environment generated.

*For further information regarding maintenance,
please visit the following link.*

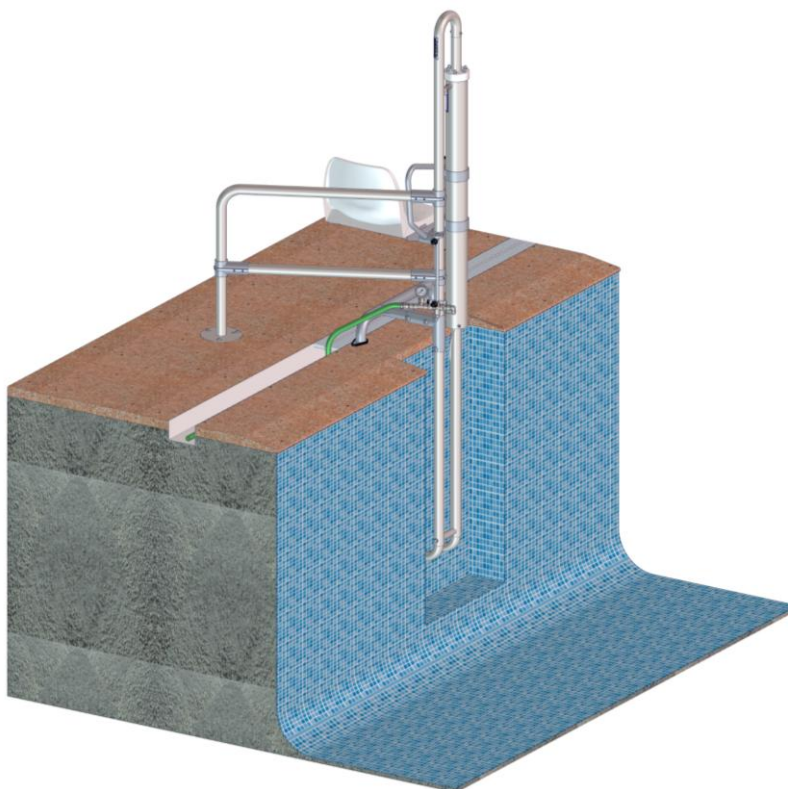




The movement of the pool lift is carried out by means of a hydraulic mechanism. When the user turns the operating handle, the lift will begin to descend or rise, lowering into the pool or lifting out of it.



Lower limit position of the METALU B-2 model.

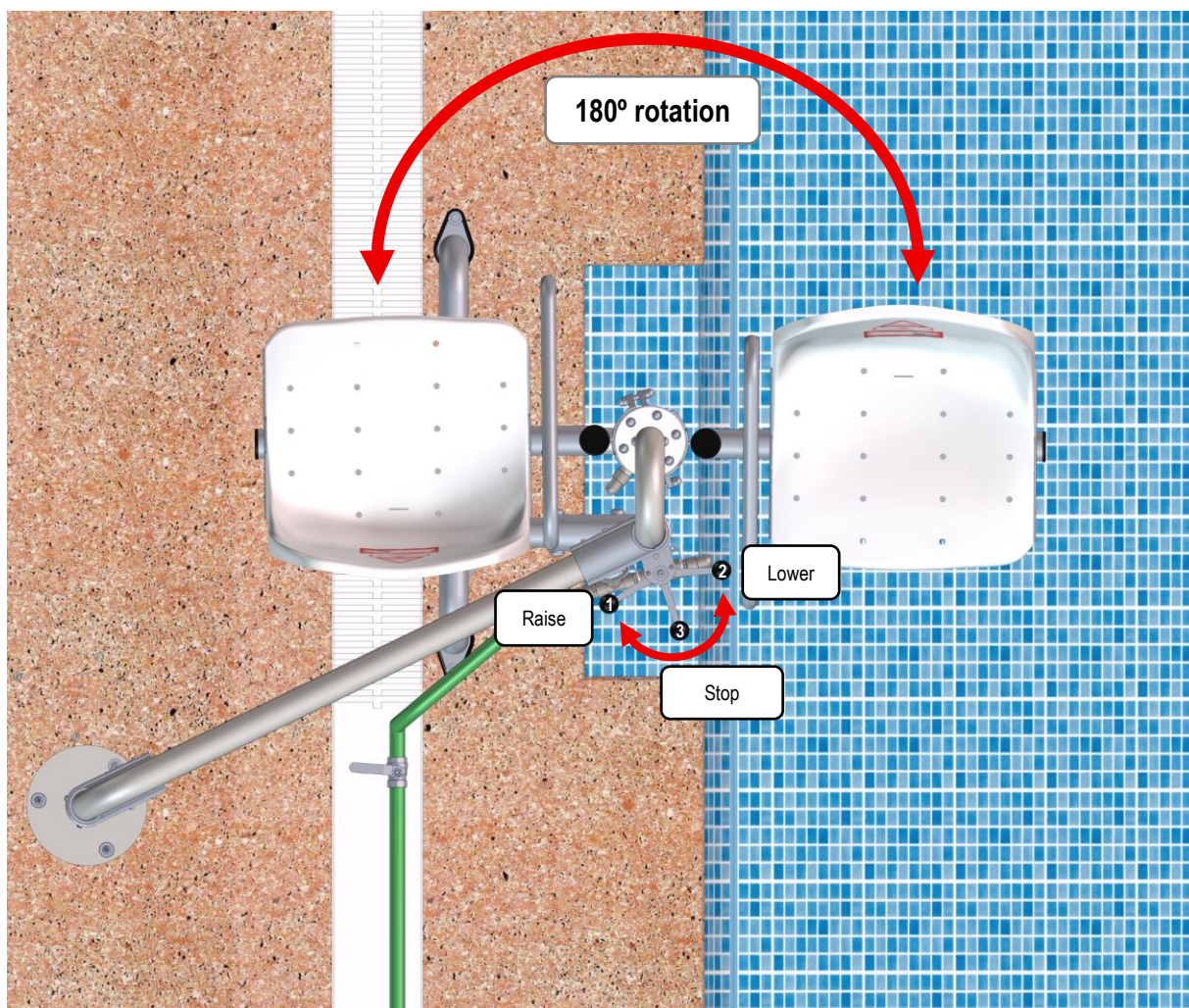


Upper limit position of the METALU B-2 model.

The element that activates the operation of the lift is the operating handle. The lifting or lowering speed can be adjusted depending on the degree of opening applied to the handle.

El turning the handle will cause the lift to rise, lower or stop as follows:

- Turning the handle from point 1 to point 2 will **lower** the lift.
- Turning the handle from point 2 to point 1 will **raise** the lift.
- Positioning the handle at point 3 will **stop** the lift in its current position.



Operating handle positions.

10 basic rules

1 METALU equipment must be installed in accordance with the manufacturer's instructions, making any necessary enquiries. The installer must test the equipment once installation has been completed and ensure that everything is functioning correctly.

2 In accordance with Article 12 of Law 11/1997 on Packaging, the final holder is responsible for the packaging. Reuse it whenever possible and dispose of the remainder at appropriate recycling facilities.
Protecting the environment is everyone's responsibility.



3 METALU equipment must only be used by facility managers and authorised users.

4 Facility managers must be familiar with the equipment after having read the instructions. If, after reading them, there are any doubts, the manufacturer must be contacted using the addresses provided therein.

5 Facility managers must inform users about the correct operation of the equipment.

6 Before operating the lift, ensure that the operating radius is clear. While the lift is in operation, do not place hands or any objects in its moving parts.



7 External cleaning is a mandatory condition for warranty validity. Follow the cleaning instructions supplied with the lift.



8 In accordance with the Low Voltage Electrical Regulations (REBT), ITC-BT-31, the machine must be connected to the equipotential bonding conductor that the swimming pool is required to have.

9 The installer must be aware of and take into account the regulations of the relevant autonomous community when carrying out the installation.

10 If the holder of this document is not the final customer, it must be passed on to them.

MANUFACTURAS METÁLICAS LUISIANERAS, S.L.

Hydraulic pool lift METALU B-2 model

Manual and Certificates

Address: Polígono Industrial Los Motillos, C/ Madrid No. 11, units A, C, D, G, H. 41430.

City: La Luisiana (Sevilla) – España.

Tax ID: B – 41834508

Main telephone: +34 955 907 784

Website: www.ascensoracuatico.com

Email: info@ascensoracuatico.com

Technical support contacts:

- Telephone: +34 610 267 663
- Email: soporte@ascensoracuatico.com



Otra documentación disponible:



Preinstalación e
instalación



Adaptabilidad al
vaso de la piscina



Despiece y solución
de problemas



Complementos
adicionales