

POOL LIFT METALU PK

PORTABLE HYDRAULIC POOL LIFT



★ ★ ★ ★ ★
METALU WARRANTY
3 YEARS The lift
5 YEARS All spare parts



MANUAL AND CERTIFICATES



Table of contents

Elevator manual and certificates	3
1. Manufacturer information	3
2. Functional features	3
3. Main product standards	5
4. EC DECLARATION OF CONFORMITY	6
5. Identification plate	7
6. Warranty certificate	7
7. Certificate of commissioning	8
8. Installation certificate	9
9. Standard package components	10
10. Shipping components	11
11. Lift spatial dimensions	13
12. Proper Use of the Product and Maintenance	16



Elevator manual and certificates

1. Manufacturer information

Company name: Manufacturas Metálicas Luisianeras, S.L.

Address: Polígono Industrial Los Motillos, C/ Madrid n.º 11 naves A, C, D, G, H, 41430.

City: La Luisiana (Sevilla) – España.

Tax ID: B – 41834508

Main phone: +34 955 907 784

Website: www.ascensoracuatico.com

Email: info@ascensoracuatico.com

2. Functional features

The METALU PK model is a pool lift that allows people with reduced mobility to access swimming pools **independently**. It is a **portable** and **discreet** pool lift, the **smallest** on the market, made of **AISI 316 stainless steel** with a load **capacity of up to 150 kg**. It is operated by a **hydraulic system** that requires water pressure between **3.5 and 5.5 bar** and features a dual valve control for operation both outside and inside the pool. It is **easy to store** (1.63 m in height), includes **supports for storage during periods of non-use**, and incorporates a **lower wheel** for easy transport. The **seat is removable** to prevent misuse, and there is the possibility of adding accessories (auxiliary shower, foldable footrest, foldable armrests, safety belt, etc.). Once installed, it can be assembled and disassembled in **2 minutes without tools**. Adaptable and variable **anchoring options** are available for different pool profiles.





Among the main features of this product, the following points should be highlighted:

- **Fully autonomous** user operation.
- **Portable** with a wheel for easy transport.
- **Small and discreet**, with a storage support.
- Can be **used with multiple pools** using a single lift.
- Once installed, assembly and disassembly in a **few minutes without tools**.
- **Dual control for operation** both outside and inside the pool.
- **Pressure gauge** to monitor the hydraulic system's pressure.
- **Use of high-quality DUPLEX fasteners (stainless steel)**, a material with high mechanical strength and excellent corrosion resistance, superior to common stainless steels.
- **Removable seat** to prevent misuse.
- **Adaptability** (available on request):
 - Special anchors to fit any pool.
 - Reverse rotation.
- **Accessories** (available on request):
 - Auxiliary shower.
 - Safety belt, foldable armrests and foldable footrest.
 - Rubber stopper for polyester, liner, and similar pools.

The technical specifications of the METALU PK model are shown below.

Technical Specifications	
Material	AISI 316 stainless steel
Maximum load capacity	150 kg
Pressure range	3,5 – 5,5 bar
Rotation angle	180°
Turning radius	0,70 m
Travel distance	1,06 m
Net weight	(30 + 10) = 40 kg
Packed weight	(35 + 16) = 51 kg
Empty lift-up time (depending on pressure)	24 s
Lift-up time with 85 kg load (depending on pressure)	27 s
Empty descent time	50 s
Descent time with 85 kg load	22 s
Water capacity in the cylinder	9 L
Minimum pool basin depth in the installation area	0,90 m
<i>* Minimum measurement from the start of the pool's half-pipe curve</i>	<i>* 0,80 m</i>



3. Main product standards

- The manufacturing and finishing of the lift comply with the following specifications:
 - The entire structure and accessories are made of **316 stainless steel**.
 - All metal surfaces are finished to eliminate sharp edges **that could cause injury**.
 - All fasteners used **pose no risk**, as all are round-head screws that cannot scratch or catch the user.
 - Sufficient clearance is left around moving parts to prevent any **risk of entrapment**.
- A standardized warning sign indicating **the maximum load (150 kg) is included**.
- The static coefficient has been considered, doubled in the calculation of **mechanical strength and overturning risk**.
- The movement speed of the lift's moving parts is smooth, **below 0.1 m/s**, reducing the risk of falling off the seat.
- Access to the pool is via a seat with backrest, allowing a wheelchair **user to operate it independently**.
- Controls can be **operated by the user and**, if applicable, by an assistant, both from the poolside area for entering the pool and from inside the pool for exiting.
- The seat is positioned at a **height of 0.45–0.50 m above the floor**.
- In the elevated resting position, **the seat remains parallel to the pool**, maintaining a minimum distance of **0.40 m from the seat axis to the pool edge**. A lateral transfer space is provided, parallel to the seat and on the opposite side of the pool, measuring **0.80 m wide and 1.40 m long**. The transfer space starts **0.30 m before the backrest of the seat**, is free of obstacles, and provides enough room for the user to safely maneuver their wheelchair.
- The seat has an armrest on the side opposite the transfer.
- The lift should be installed near one of the pool access ladders and in a water depth between **0.80 and 1.20 m**, in case an assistant needs to help the person with reduced mobility.
- A person seated in the lift **rotates 180° above the pool from the poolside and lowers into the water**. The operation is reversed to exit the pool.



4. EC DECLARATION OF CONFORMITY



EC DECLARATION OF CONFORMITY

The undersigned, on behalf of the company::

- **Company name:** Manufacturas Metálicas Luisianeras, S.L.
- **Tax ID:** B – 41834508.
- **Address:** Polígono Industrial Los Motillos, C/ Madrid n.º 11 naves A, C, D, G, H, 41430.
- **City:** La Luisiana (Sevilla) – España.

Product description:

- **Model:** METALU PK.
- **Type:** Pool lift with hydraulic lifting and rotating movements designed to facilitate access to and exit from swimming pools for persons with reduced mobility.
- **Capacity:** Lifting capacity: 150 kg.

Regulations with which the machine complies.

The machine complies with the provisions set out in Directive 2006/42/EC of the European Parliament and of the Council of 17 May 2006 on machinery.

Harmonised standards and technical specifications applied

- **UNE-EN 61310-1:2008.** Safety of machinery. Indication, marking and actuation.
Part 1: Requirements for visual, audible and tactile signals.
- **UNE-EN 61310-2:2008.** Safety of machinery. Indication, marking and actuation.
Part 2: Requirements for marking.
- **UNE-EN ISO 12100:2012.** Safety of machinery. General principles for design.
Risk assessment and risk reduction.
- **UNE-EN 547-3:1997+A1:2008.** Safety of machinery. Human body measurements.
Part 3: Anthropometric data.

La Luisiana, 14 November 2014

Fdo. Mr. Manuel Escalera Soler.

Managing director



5. Identification plate

The product shall be fitted with a clearly legible and indelible identification plate engraved with the following information:

- Name and address of the manufacturer.
- CE conformity marking.
- Year of manufacture.
- Serial No.

ASCENSOR ACUATICO METALU	
AÑO DE FABRICACION	<input type="text"/>
Nº DE SERIE	<input type="text"/>
MANUFACTURAS METALICAS LUISIANERAS S.L.	
WWW.ASCENSORACUATICO.COM	
C/ MADRID, 11 41430 LA LUISIANA (SEVILLA) SPAIN	
TFN. (+34) 955 90 77 84	

6. Warranty certificate

Manufacturing company: Manufacturas Metálicas Luisianeras, S.L.

Product: Ascensor acuático “METALU PK”. Asistente hidráulico.

Serial No.:

Delivery date:

General conditions:

- **Warranty duration and coverage:** The warranty period is three (3) years against any operating defect and five (5) years against any material defect.

Customer details:

Customer:

Address:

Contact person:

Telephone:

Company signature:



7. Certificate of commissioning

Main details of the manufacturing company:

- **Company name:** Manufacturas Metálicas Luisianeras, S.L.
- **Tax ID:** B – 41834508.
- **Address:** Polígono Industrial Los Motillos, C/ Madrid n.º 11 naves A, C, D, G, H, 41430.
- **City:** La Luisiana (Sevilla) – España.

Product description:

- **Model:** METALU PK.
- **Type:** Pool lift with hydraulic lifting and rotating movements designed to facilitate access to and exit from swimming pools for persons with reduced mobility.
- **Capacity:** Lifting capacity: 150 kg..

Technical Construction File approved by the Association of Surveyors and Technical Engineers of Seville.

This document certifies that:

1. The competent technician (Jesús León Delis, registration No. 10061) certifies the installation, start-up and commissioning of the product described above.
2. The manufacture and installation of the lift have been carried out in accordance with the technical project and its assembly drawings.
3. The design and manufacture have been carried out in accordance with current Spanish regulations relating to machinery safety, taking into account the following harmonised standards: UNE-EN 61310-1:2008, UNE-EN 61310-2:2008, UNE-EN ISO 12100:2012, UNE-EN 547-3:1997+A1:2008.
4. The pool lift is accompanied by the CE marking, therefore its design and manufacture comply with the regulations of the European Economic Community.

La Luisiana, 14 November 2014.

Competent technician:

Jesús León Delis

Registered N.º 10061

Manufacturer:

Manuel Escalera Soler



8. Installation certificate

Installing company:

Declares: That the lift has been installed in accordance with the instructions provided by the manufacturer.

Product: METALU PK pool lift. Hydraulic assistant.

Serial No:

Installation date:

Installation site:

Installer's name:

Installer's ID / Passport No.:

Installer's signature:

9. Standard package components

The standard package of the METALU PK model consists of the components shown in the following figure.

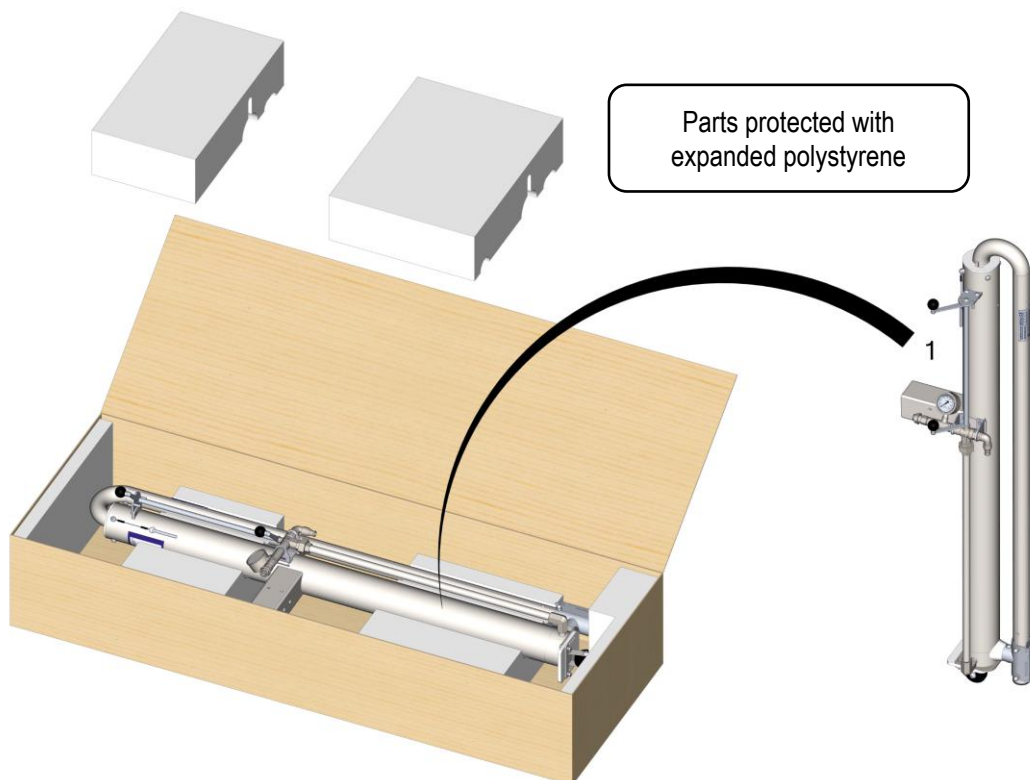


General components of the standard package.

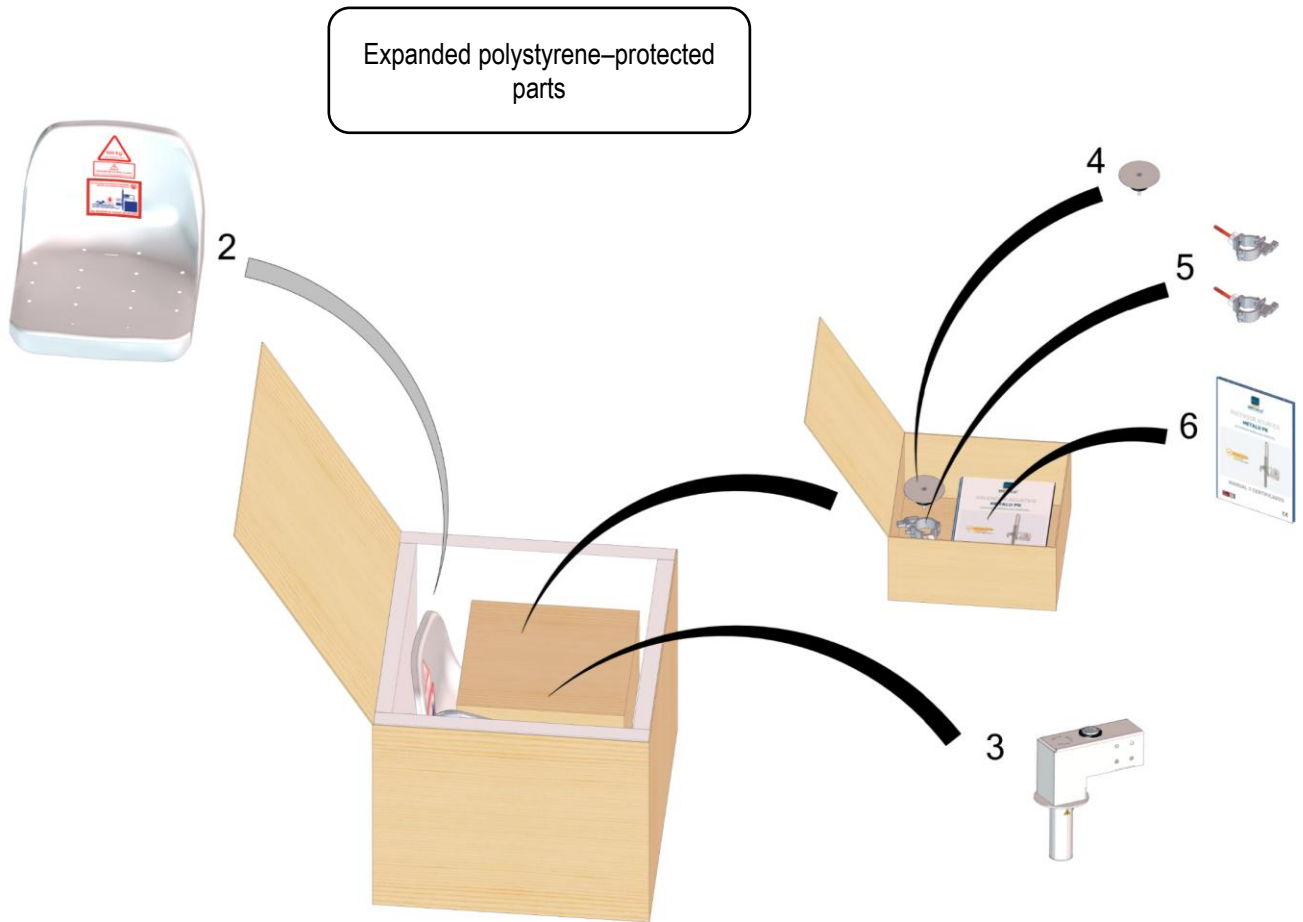
10. Shipping components

The shipping components of the lift's standard package are supplied to the customer in different packages.

Shipping components for the standard order				
Order type	Package	Package weight [kg]	Dimensions (width × height × length) [mm]	Contents
Estándar order	Package 1	35 kg	610 x 320 x 1740	1. Cylinder and shaft assembly
	Package 2	16 kg	720 x 600 x 680	2. Seat
				3. Anchor
				4. Floor anchoring plug
				5. Storage supports
				6. Documentation: <ul style="list-style-type: none"> • Installation manual and certificates



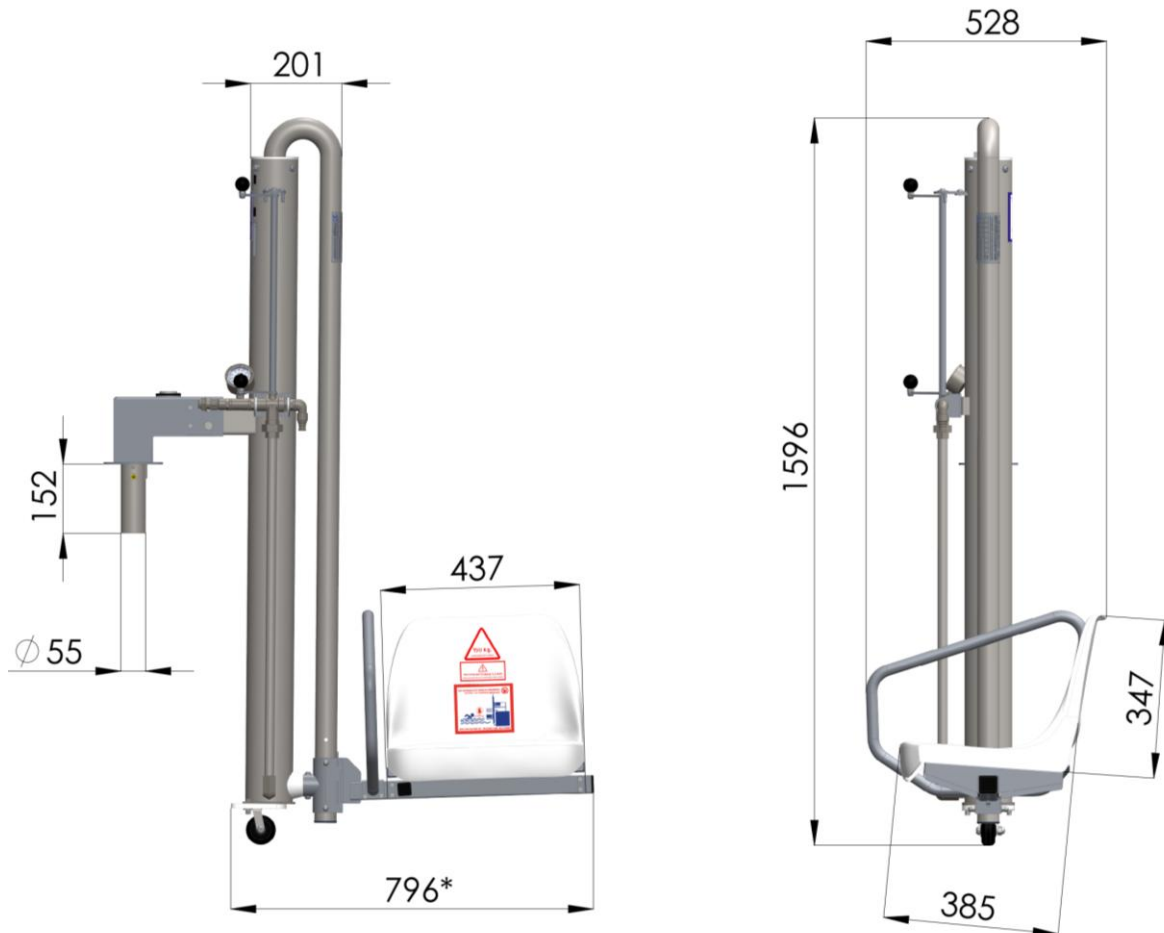
Contents of Package 1 of the METALU PK model.



Contents of Package 2 of the METALU PK model.

11. Lift spatial dimensions

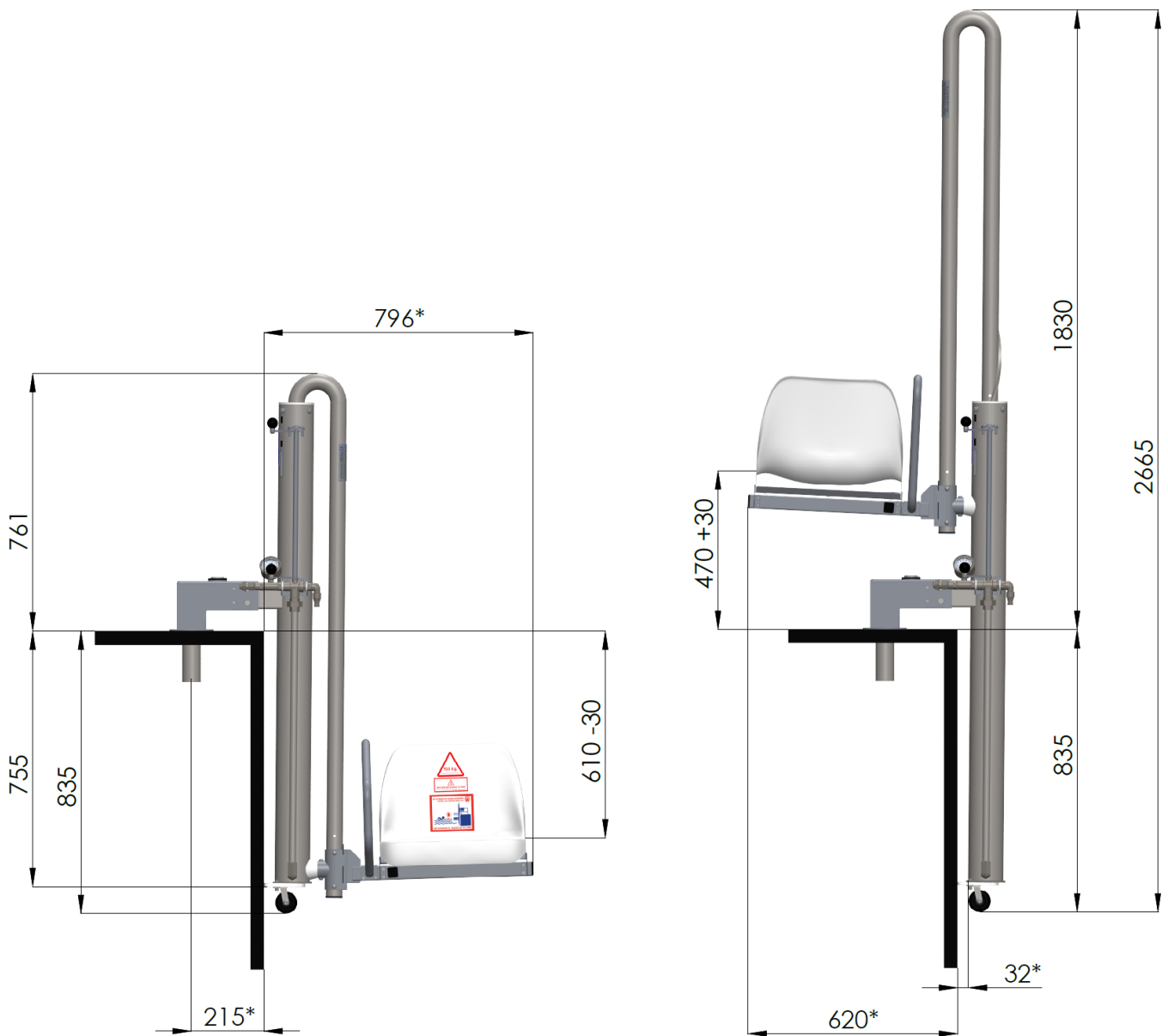
Dimensions of the lift in folded position. Units in millimetres [mm].



* Dimension dependent on the distance from the inner wall of the swimming pool to the cylinder.

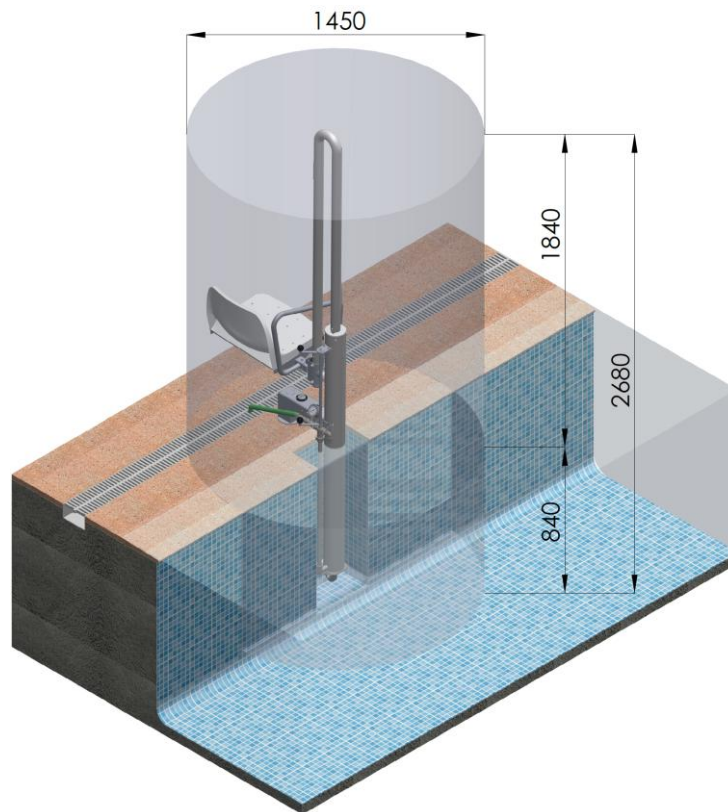


Lift dimensions when positioned on a standard swimming pool profile. Units in millimetres [mm].

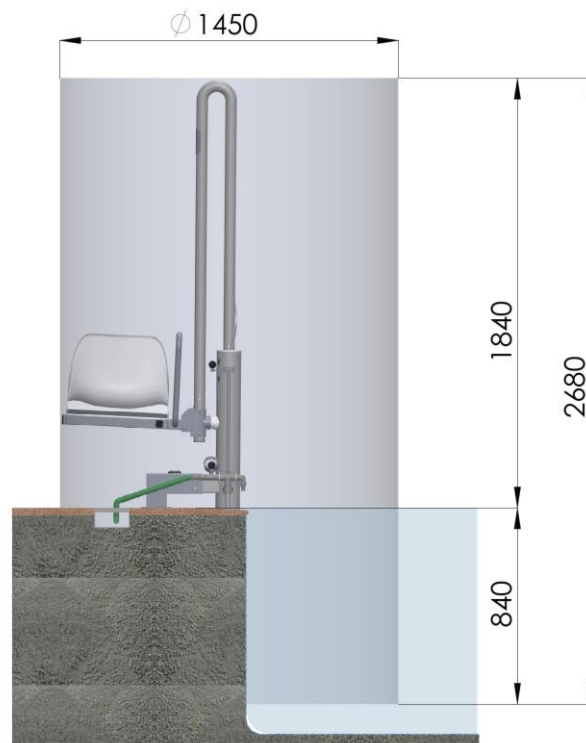


* Dimensions dependent on the 32 mm reference dimension, i.e. the distance from the inner wall of the swimming pool to the cylinder.

Spatial dimensions of the lift in deployed position. Units in millimetres [mm].



Dimensions of the three-dimensional space in which the lift operates (3D view).



Dimensions of the three-dimensional operating space of the lift (side view).



12. Proper Use of the Product and Maintenance

In order to ensure proper use of the product and correct maintenance that will significantly extend its service life, it is recommended to observe the following guidelines:

- Proper use of the lift:
 - Use the lift responsibly, becoming familiar with its functionality and intended purpose before operation.
 - The lift must not be used unless the appropriate commissioning steps have been completed. Check the assembly and installation as described in the manual.
 - lift must be used only by persons authorised by the facility.
 - The user position is the seat, where the user must sit upright and centred. From this position, the control devices can be easily accessed.
 - Before using the lift, the user must ensure that there are no persons or obstacles within the travel area of the lift's moving parts.
 - Once the user is inside the pool, the seat must be returned to its initial position, thus preventing the lift from becoming an obstacle for other pool users.
 - The maximum load capacity of the lift, and therefore of the user, is 150 kg.
 - It is prohibited to use the lift with more than one person at the same time, even if the combined weight is less than 150 kg.
 - It is prohibited to use the lift as a play platform, for jumping, etc.
 - The seat is designed in accordance with anthropometric dimensions as defined by European standards.
 - Follow the visual indications provided on the product.
 - The water supply pressure in the lift's hydraulic installation must be maintained between 3.5 and 5.5 bar. It must never exceed 5.5 bar.
 - Use clean mains water for the operation of the lift. If well water or any other water that may contain impurities is used, filters must be installed.



- Maintenance:
 - **Clean the lift structure daily** using plenty of fresh water under pressure to ensure that no external particles remain on the surface. Afterwards, dry with a cotton cloth.
 - In order for the warranty to be valid, the lift must be connected **to the supplementary equipotential bonding system (earth/ground connection)**.
 - The lift installation area must have suitable environmental conditions to prevent the appearance of stains on the pool lift:
 - a) Correctly regulate ambient **humidity levels**.
 - b) Correctly regulate the **ambient ventilation system**.
 - c) Correctly **regulate water parameters**, keeping them properly balanced at the recommended levels: pH, chlorine and/or salt (including during winter periods).
 - If the lift is not used by any user for several weeks, **operate it at least once a week** with a medium load (approximately 75 kg), performing several lifting and lowering cycles. This activity will keep the internal areas of the cylinder clean.
 - During periods of non-use, **store the lift** in a covered location with suitable environmental conditions to prevent the appearance of stains on the pool lift:
 - a) Correctly regulate the **humidity levels** of the room.
 - b) Correctly regulate **the room's ventilation system**.
 - c) Correctly regulate **the room temperature**.
 - d) Avoid placing the lift near **chemical or toxic products**.
 - **The lift must be stored** clean and dry, with the cylinder empty (seat in the lower position), in a location protected from impacts and placed on its designated storage supports.
 - Periodically **check that all lift components are in good condition** and that all screws and nuts are properly tightened. If any component is damaged, do not use the lift until it has been replaced. Increase the frequency of these inspections in indoor swimming pools.

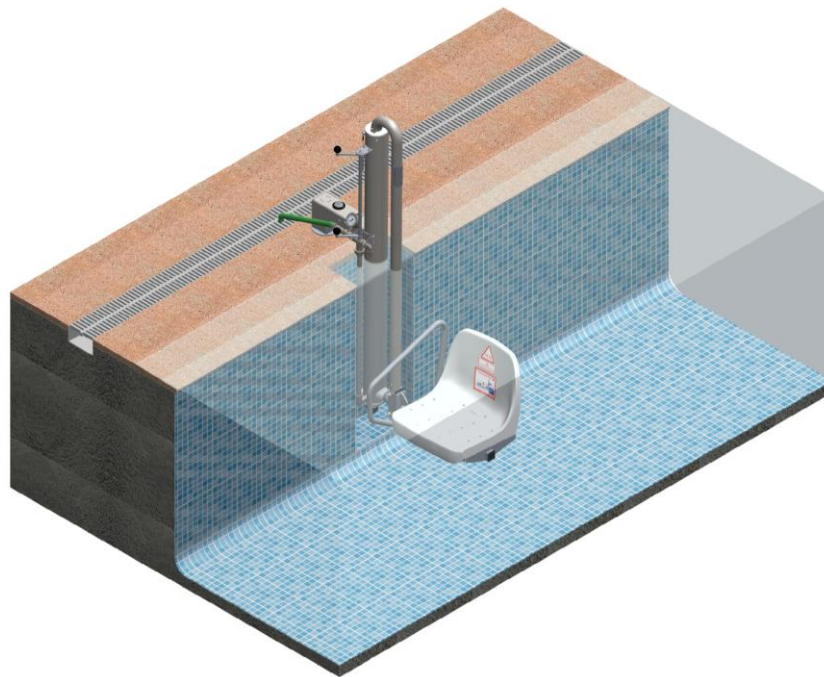
INDOOR SWIMMING POOLS: maintenance and especially cleaning in indoor swimming pools must be much more stringent due to their atmospheric conditions, temperatures and the environment generated.

For further information regarding maintenance, please visit the following link.

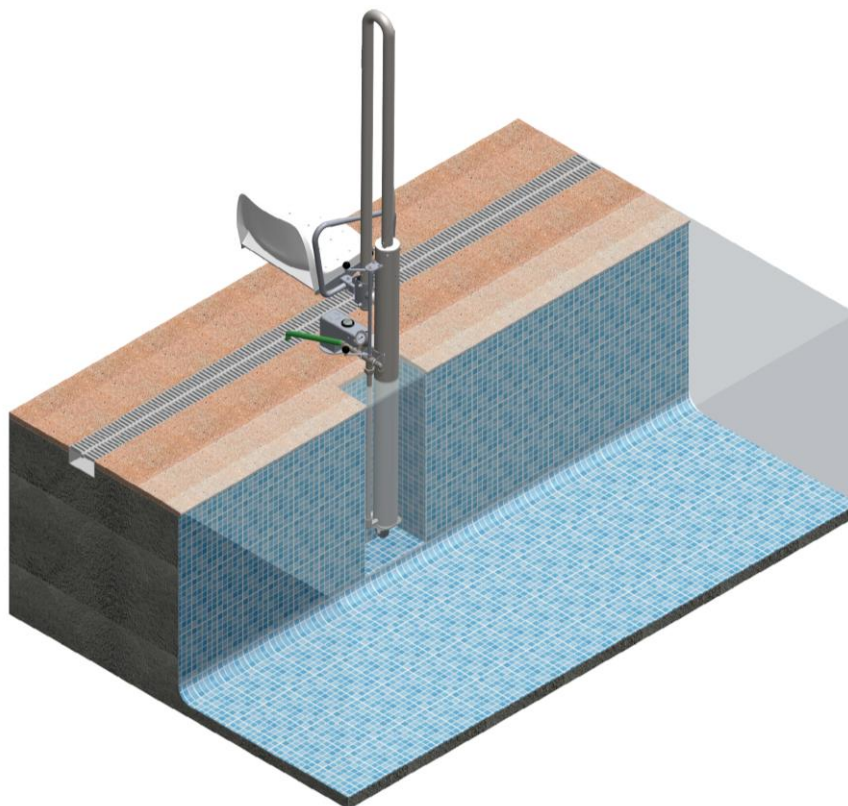




The movement of the pool lift is carried out by means of a hydraulic mechanism. When the user turns the operating handle, the lift will begin to descend or ascend, entering the pool or exiting it.



Lower limit position of the METALU PK model.

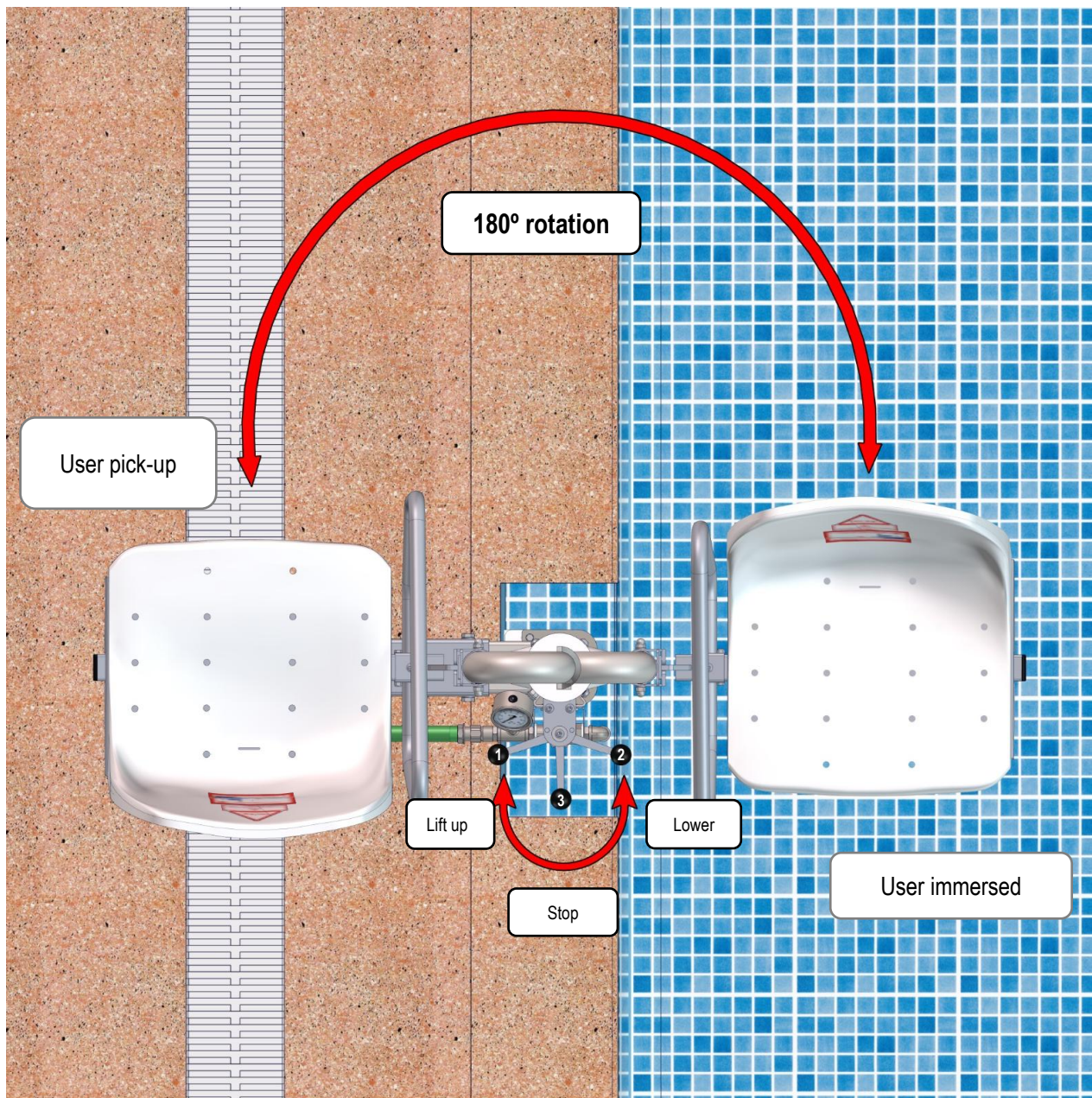


Upper limit position of the METALU PK model.

The element that activates the operation of the lift is the operating handle. The lifting or lowering speed can be adjusted depending on the degree of opening applied to the handle.

Turning the handle causes the lift to rise, descend or stop, as applicable:

- By turning the handle from point 1 to point 2, the lift will **descend**.
- By turning the handle from point 2 to point 1, the lift will **ascend**.
- By positioning the handle at point 3, the lift will **stop** at its current position.



Operating handle positions.

10 basic rules

1 METALU equipment must be installed in accordance with the manufacturer's instructions, making any necessary enquiries. The installer must test the equipment once installation has been completed and ensure that everything is functioning correctly.

2 In accordance with Article 12 of Law 11/1997 on Packaging, the final holder is responsible for the packaging. Reuse it whenever possible and dispose of the remainder at appropriate recycling facilities.

Protecting the environment is everyone's responsibility.



3 METALU equipment must only be used by facility managers and authorised users.

4 Facility managers must be familiar with the equipment after having read the instructions. If, after reading them, there are any doubts, the manufacturer must be contacted using the addresses provided therein.

5 Facility managers must inform users about the correct operation of the equipment.

6 Before operating the lift, ensure that the operating radius is clear. While the lift is in operation, do not place hands or any objects in its moving parts.



7 External cleaning is a mandatory condition for warranty validity. Follow the cleaning instructions supplied with the lift.



8 In accordance with the Low Voltage Electrical Regulations (REBT), ITC-BT-31, the machine must be connected to the equipotential bonding conductor that the swimming pool is required to have.

9 The installer must be aware of and take into account the regulations of the relevant autonomous community when carrying out the installation.

10 If the holder of this document is not the final customer, it must be passed on to them.

MANUFACTURAS METÁLICAS LUISIANERAS, S.L.

Hydraulic pool lift METALU PK model

Manual and Certificates

Address: Polígono Industrial Los Motillos, C/ Madrid No. 11, units A, C, D, G, H. C.P.: 41430.

Localidad: La Luisiana (Seville) – Spain.

Tax ID: B – 41834508

Main telephone: (+34) 955 907 784

Website: www.ascensoracuatico.com

Email: info@ascensoracuatico.com

Technical support contacts:

- Telephone: +34 610 267 663
- Email: soporte@ascensoracuatico.com



Other available documentation:



Pre-installation and
installation



Pool basin adaptability



Exploded view and
troubleshooting



Additional
accessories