



METALU[®]
ascensoracuatico.com

POOL LIFT METALU 400

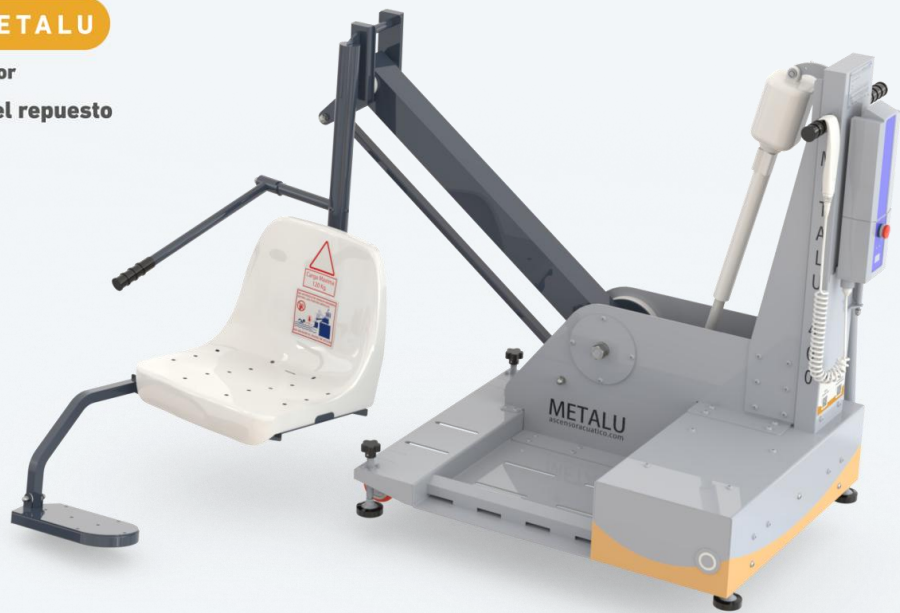
PORTABLE BATTERY-POWERED LIFT



★★★★★
GARANTÍA METALU

3 AÑOS El elevador

5 AÑOS Todo el repuesto



INSTALLATION



Table of contents

Installation the lift	3
1. Installation the lift	3



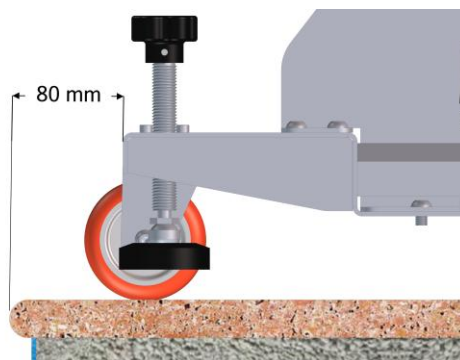
Installation the lift

1. Installation the lift

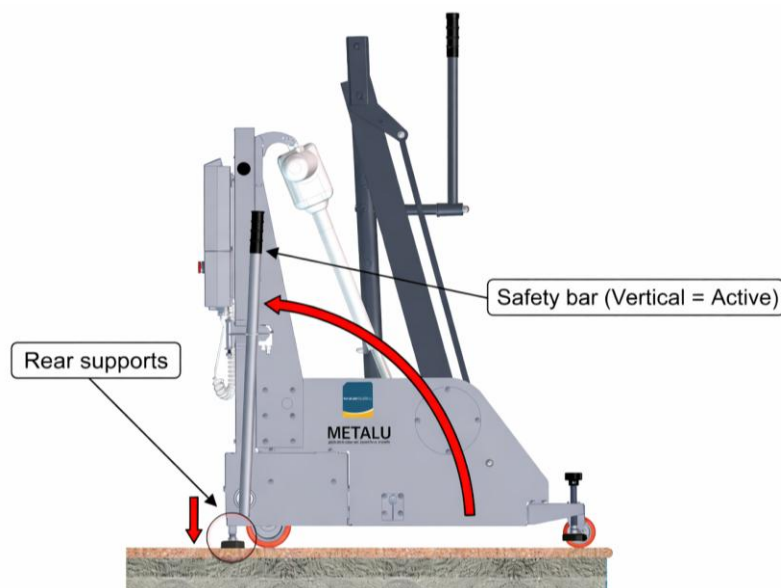
Installation the METALU S-400 lift is very simple and does not require the use of external tools.

Follow the steps below to position the lift correctly:

1. **Move the body of the lift** to the installation area. Before moving it, ensure that the front supports (spindles) are fully raised. To facilitate transport, it is recommended to move the lift without the seat fitted.
2. **Position the lift** in the area of use, between 50 mm and 120 mm from the pool edge, ensuring that the front supports are not left overhanging the coping stone. Make sure that the water depth in that area of the pool is at least 0.9 m.

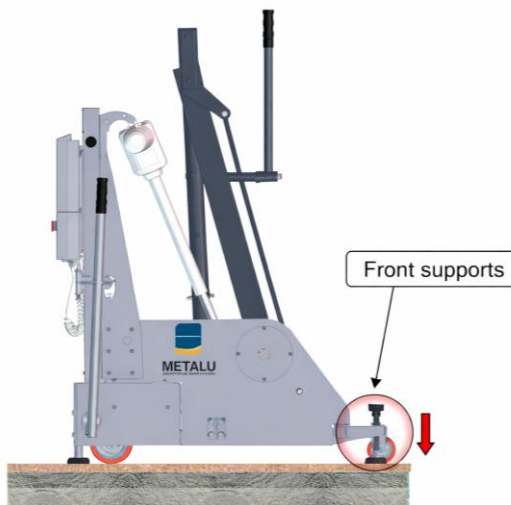


3. Place **the safety bar in a vertical** position so that it **rests in its hinge housing** and activates the electrical system microswitch. The rear supports will then be positioned below the level of the rear wheels, leaving the wheels suspended in the air.

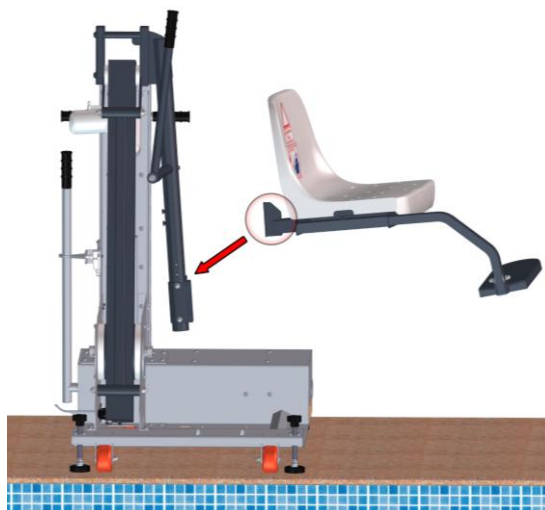




4. **Lower the front** supports so that they are positioned below the level of the front wheels, leaving the wheels suspended in the air.



5. **Place the seat** onto the seat support brackets.



The lift, ready for use, will appear as shown in the following image:



10 basic rules

1 METALU equipment must be installed in accordance with the manufacturer's instructions, making any necessary enquiries. The installer must test the equipment once installation has been completed and ensure that everything is functioning correctly.

2 In accordance with Article 12 of Law 11/1997 on Packaging, the final holder is responsible for the packaging. Reuse it whenever possible and dispose of the remainder at appropriate recycling facilities.
Protecting the environment is everyone's responsibility.



3 METALU equipment must only be used by facility managers and authorised users.

4 Facility managers must be familiar with the equipment after having read the instructions. If, after reading them, there are any doubts, the manufacturer must be contacted using the addresses provided therein.

5 Facility managers must inform users about the correct operation of the equipment.

6 Before operating the lift, ensure that the operating radius is clear. While the lift is in operation, do not place hands or any objects in its moving parts.



7 External cleaning is a mandatory condition for warranty validity. Follow the cleaning instructions supplied with the lift.



8 In accordance with the Low Voltage Electrical Regulations (REBT), ITC-BT-31, the machine must be connected to the equipotential bonding conductor that the swimming pool is required to have.

9 The installer must be aware of and take into account the regulations of the relevant autonomous community when carrying out the installation.

10 If the holder of this document is not the final customer, it must be passed on to them.

MANUFACTURAS METÁLICAS LUISIANERAS, S.L.

Battery-powered pool lift model METALU S-400

Installation

Address: Polígono Industrial Los Motillos, C/ Madrid No. 11, units A, C, D, G, H. 41430.

City: La Luisiana (Sevilla) – España.

Tax ID: B – 41834508

Main telephone: +34 955 907 784

Website: www.ascensoracuatico.com

Email: info@ascensoracuatico.com

Technical support contacts:

- Telephone: +34 613 165 661
- Email: soporte1@ascensoracuatico.com



Otra documentación disponible:



Installation



Exploded view and
troubleshooting



Additional
accessories