

POOL LIFT

METALU PANTALÁN

HYDRAULIC POOL LIFT



★ ★ ★ ★ ★
METALU WARRANTY

3 YEARS The lift

5 YEARS All spare parts



INSTALLATION



Table of contents

Installation of the lift	3
1. Anchor dimensions.....	3
1.1 Ground anchoring.....	3
1.2 Side face anchoring (inner wall of the pool).....	3
2. Pre-installation	4
3. Installation.....	7
4. Disassembly and storage of the product.....	13

Installation of the lift

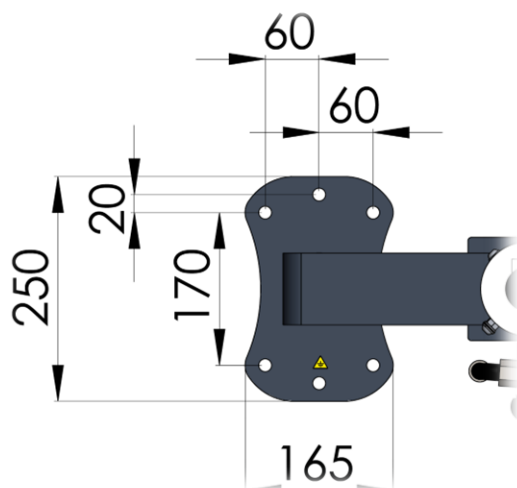
1. Anchor dimensions

The METALU PANTALAN model has two anchoring areas:

1.1 Ground anchoring

The ground anchoring consists of 6 anchor bolts. **These are cylindrical anchors with a length of 90 mm and an external diameter of 12 mm.**

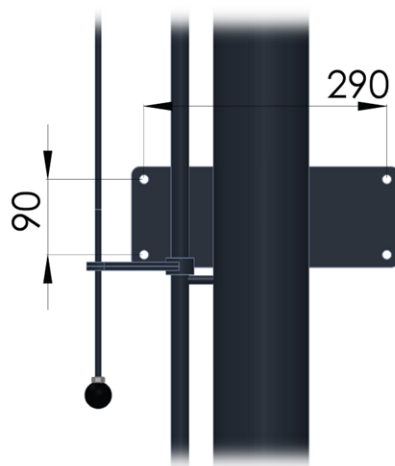
The distances between the anchor bolts (in millimetres) are shown in the following image:



1.2 Side face anchoring (inner wall of the pool)

The side face anchoring consists of 4 anchor bolts. **These are cylindrical anchors with a length of 90 mm and an external diameter of 12 mm.**

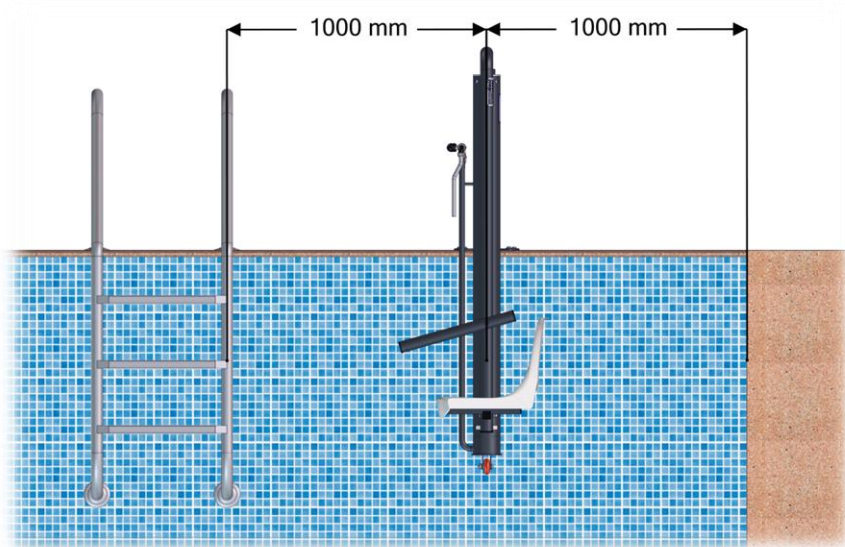
The distances between the anchor bolts (in millimetres) are shown in the following image:



2. Pre-installation

Before installing the METALU PANTALAN lift, the following points must be considered:

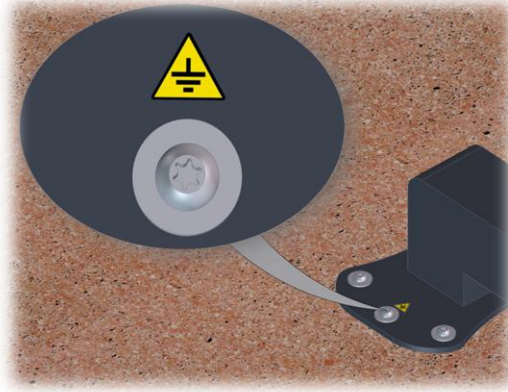
- When selecting the installation area of the lift, take into account the **Spanish Technical Building Code (CTE)**, as well as any regulations applicable in each autonomous community.
- Carefully choose the location of the lift.
- The METALU PANTALAN model cannot be modified or adjusted; ensure that the lift matches the profile of your pool.
- The operating radius of the seat must have a minimum free space of **1 metre on each side of the lift**.



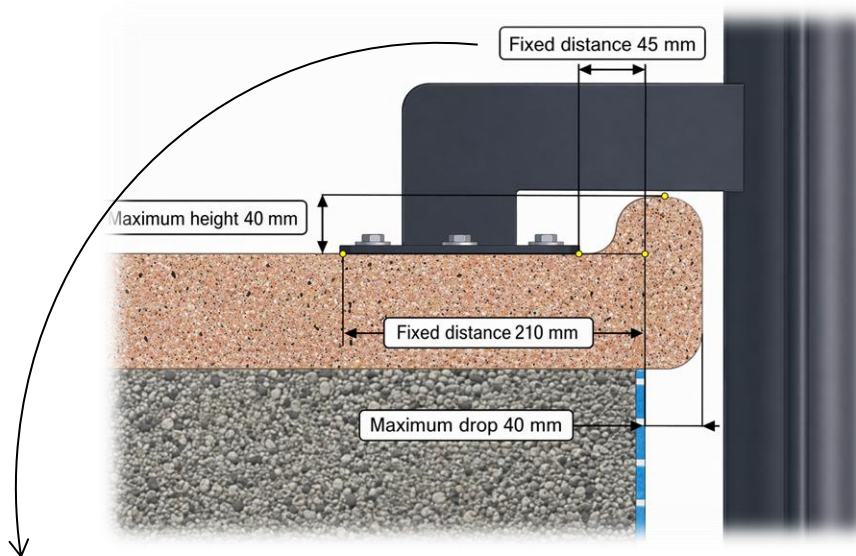
Espacio A minimum obstacle-free space of 1 metre on each side must be ensured.

- A ½" water supply connection with a pressure between **3.5 and 5.5 bar** must be available at the lift location.
 - If the supply network does not reach the minimum pressure, it will be necessary to install a **booster unit or water pump**.
It is recommended to install pumps with the following characteristics:
 - Pressure: between 3.5 and 5.5 bar.
 - Power: approximately 0.75 HP.
 - Flow rate: approximately 500–4800 l/h.
 - In case of excessive pressure, install a **pressure reducer**.
- The inlet hose to the hydraulic system must have a **minimum internal diameter of 12 mm**. A smaller diameter will negatively affect the proper operation of the lift.
- Verify that the lift is not installed over the skimmer, pipes, return inlets or any other external component that may affect the normal operation of any element.

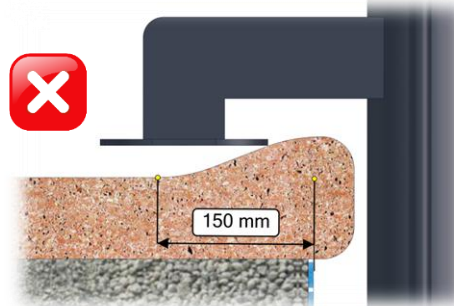
- For public or communal pools, take into account the regulations of each autonomous community regarding the obligation to **connect to the supplementary equipotential** bonding network available in the pool, in accordance with the complementary technical instructions of the Low Voltage Electrotechnical Regulation ITC-BT-31.



- The anchoring of the METALU PANTALAN model cannot be adjusted or modified.
- The lift anchoring plate must be installed on a **level surface**.
- If the coping stone of your pool has a “bullnose” finish, ensure that it is within the limits indicated in the image.

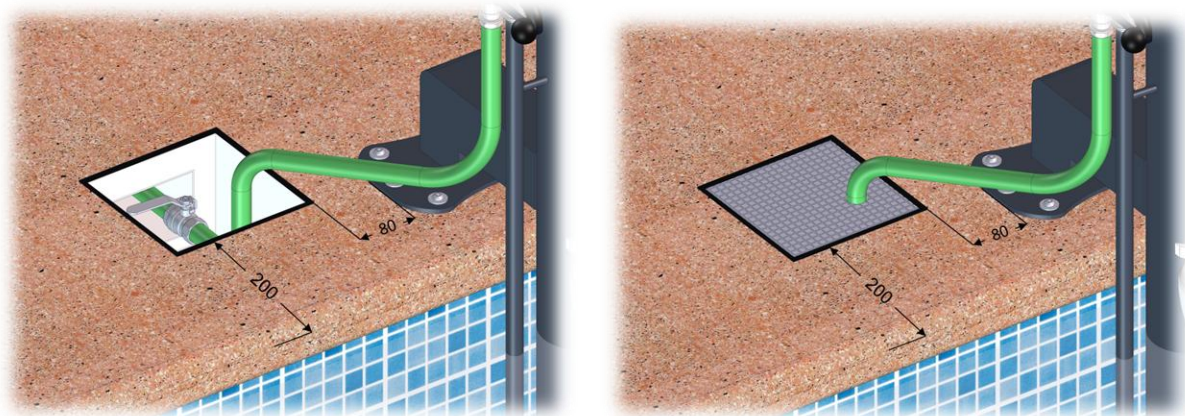


The maximum permitted distance from the start of the bullnose overhang to the inner wall of the pool must not exceed 45 mm, as this is the minimum requirement to correctly install the lift (horizontally levelled). The following image shows an example of a pool profile with a bullnose finish that does not allow the installation of the METALU BASIC lift:





For improved aesthetics, maintenance and safety of the installation, **it is recommended to install an inspection chamber** (shut-off valve and water supply point) near the lift. As a general guideline, and depending on each pool, the chamber should be installed at an approximate distance of 100 mm from the lift anchoring and 200 mm from the edge of the coping stone.



3. Installation

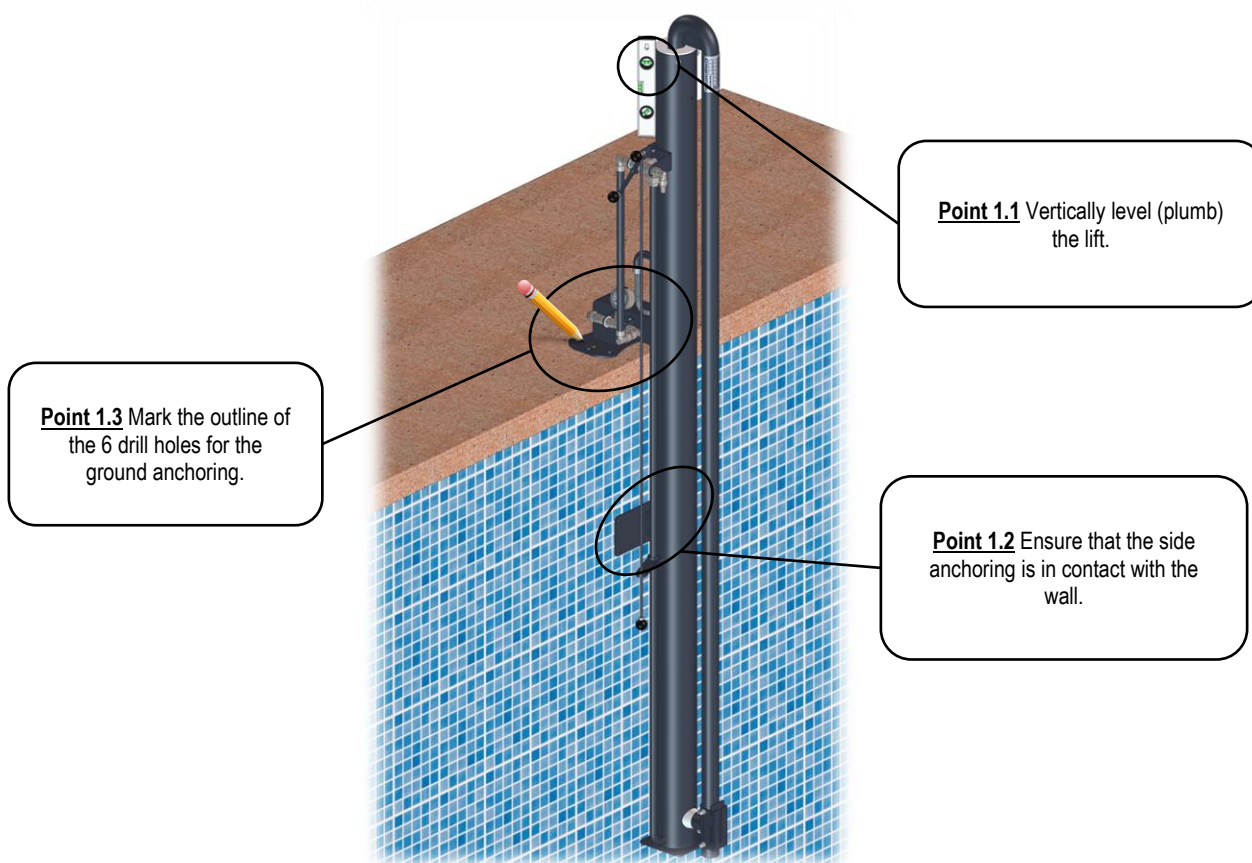
The following tools and materials are required for the installation of the METALU PANTALAN lift model:

- Hammer drill.
- Ø14 mm drill bit.
- Standard tools:
 - Open-ended spanners 12–13 mm.
 - Torx T-40 key (included in the shipment).
 - Pencil for marking drill holes.
- Epoxy chemical anchor.
- Application gun for epoxy chemical anchor.
- Spirit level.

The cylinder assembly is supplied from the factory ready for installation.

The steps to follow for installing the lift are shown below. Perform all steps and operations with the lift unloaded (without load):

Step 1. Position the lift in the desired location by carrying out the following points in the indicated order..



Check the previous step as many times as necessary before continuing.



Step 2. Drill the coping stone at the previously marked points using a drill with a 14 mm drill bit. For safety reasons, it is recommended that no bathers are present while drilling.



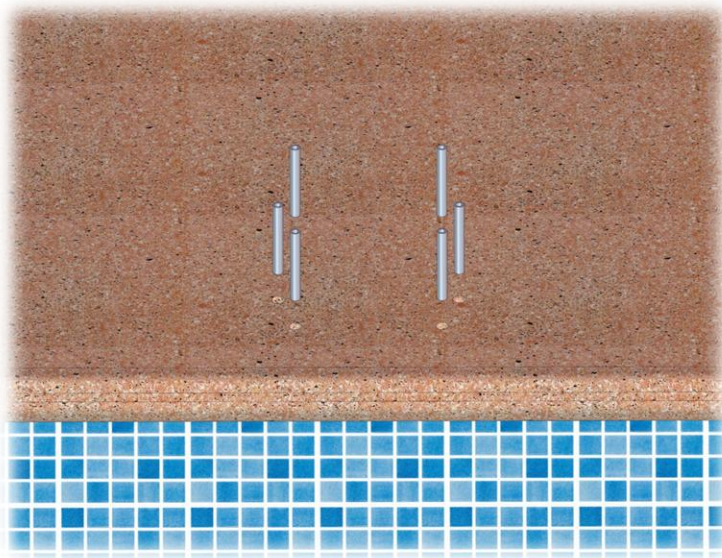
Thoroughly clean the drilling dust using air or water.

Step 3. Apply the epoxy chemical anchor, filling approximately half of each drilled hole.





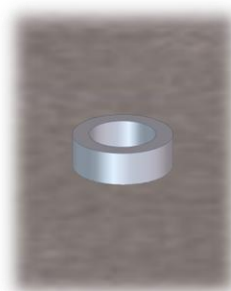
Step 4. Insert the 6 anchor bolts, ensuring that there are no obstructions in the holes. If necessary, reapply epoxy chemical anchor along the sides of the holes to prevent air voids from forming.



The anchor bolts must be **flush with the ground, neither protruding nor recessed.**



Correcta position:
Flush with the ground

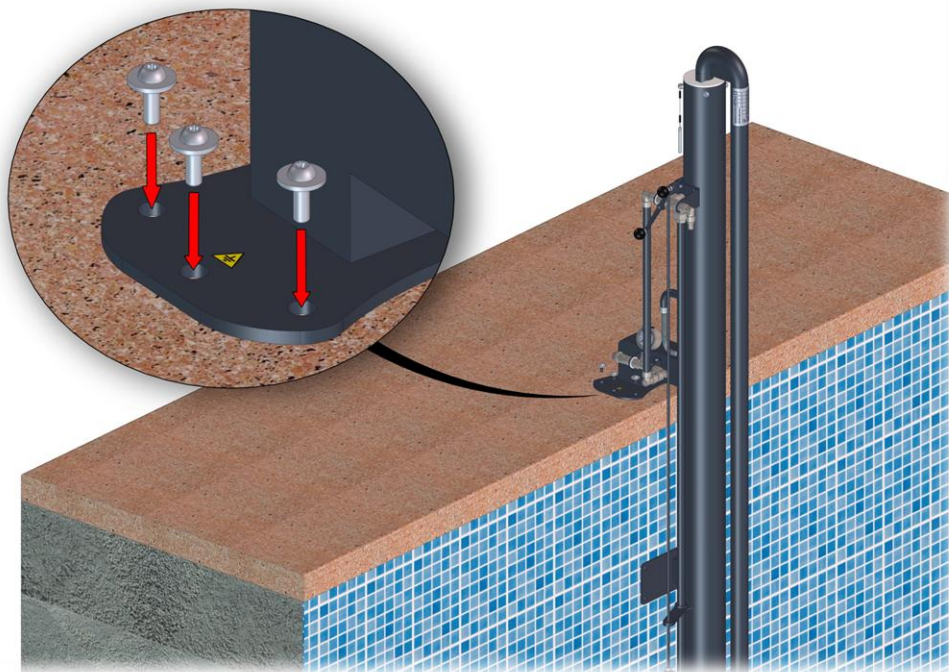


Incorrect:
Protruding



Incorrect:
Recessed

Step 5. Position the lift and fasten the bolts of the upper anchoring without fully tightening them, vertically levelling (plumbing) the lift again as shown in Step 1. Wait for the epoxy chemical anchor to cure according to the manufacturer's specifications.



Step 6. Once the epoxy chemical anchor has cured and everything has been checked, fully tighten the anchoring bolts.

Step 7. Once the ground anchoring has been fixed, repeat the same process with the side anchoring positioned on the inner face of the pool:

- Mark drill holes.
- Apply epoxy chemical anchor.
- Correctly insert the 4 anchor bolts.
- Wait for the epoxy chemical anchor to cure.
- Insert the bolts and secure the side anchoring.

Step 8. Purge the water supply before making the hydraulic connection.

Step 9. Make the hydraulic connection. Connect the water supply to the only inlet of the hydraulic system.

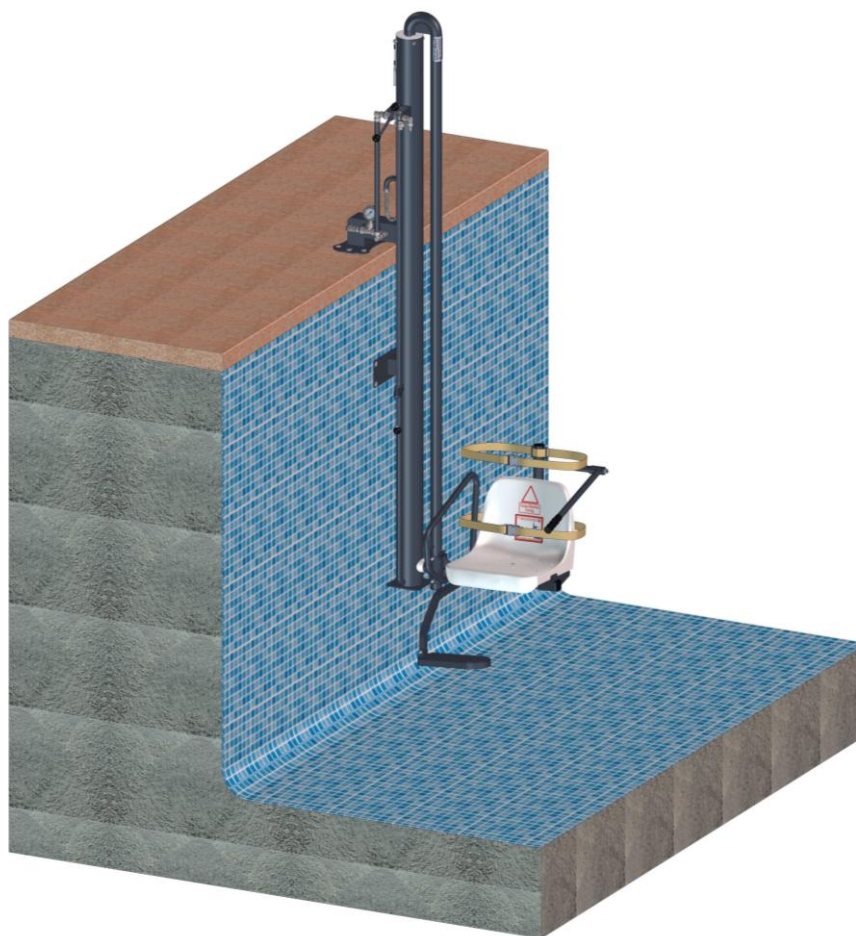


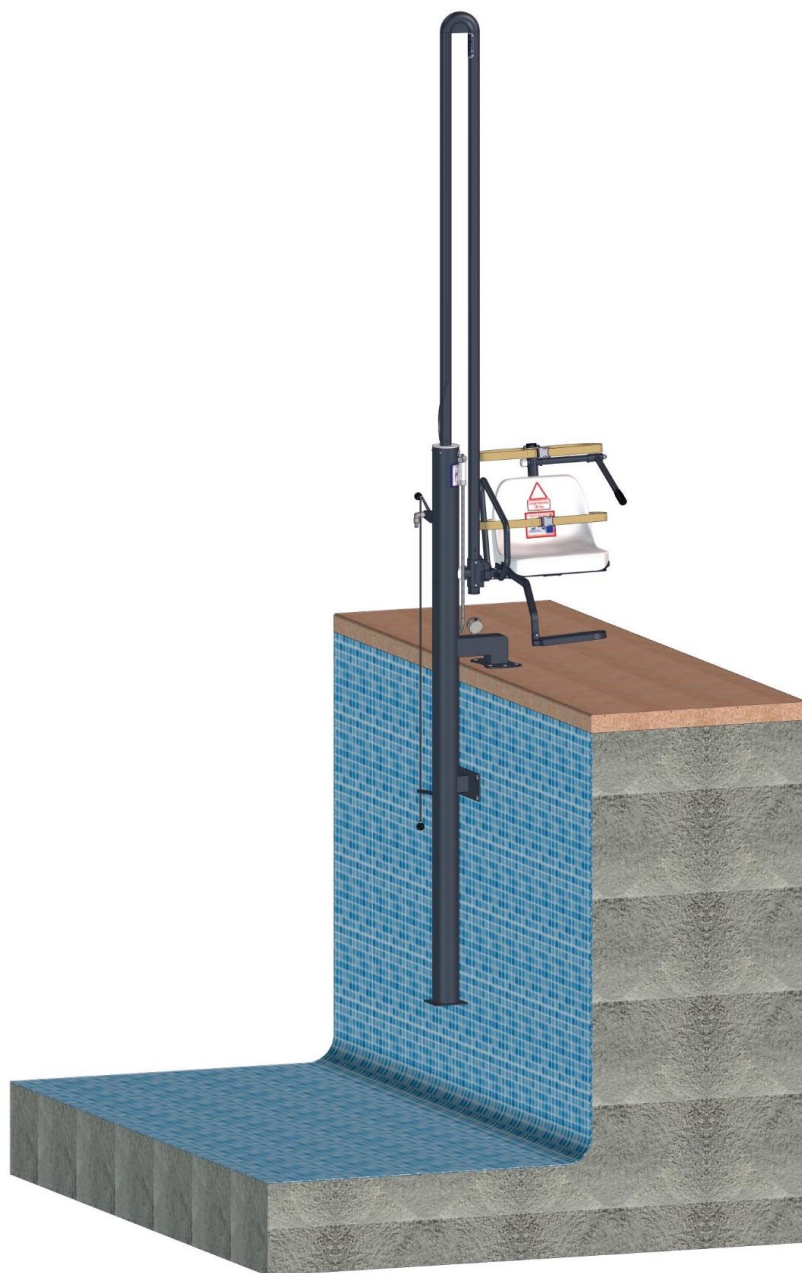
Step 10. Raise the lift and place the seat into its corresponding slot..



Step 11. Fully raise and lower the lift several times without load. Then repeat the operation with a medium load (approximately 75 kg).

The final result of the lift installation should be similar to the following image:







4. Disassembly and storage of the product

To disassemble the METALU PANTALAN lift model, follow the steps below:

1. Raise the lift and remove the seat from the shaft.



2. Fully lower the lift and disconnect the hydraulic system.
3. Unscrew the bolts from both anchoring systems.
4. Transport the lift to the storage area and store it in a safe, covered place where it will not be exposed to impacts or located near chemical products. Store the lift clean, dry and with the cylinder empty, i.e. in the lowered position.
5. Insert the bolts into the holes of both anchoring systems.



10 basic rules

1 METALU equipment must be installed in accordance with the manufacturer's instructions, making any necessary enquiries. The installer must test the equipment once installation has been completed and ensure that everything is functioning correctly.

2 In accordance with Article 12 of Law 11/1997 on Packaging, the final holder is responsible for the packaging. Reuse it whenever possible and dispose of the remainder at appropriate recycling facilities.
Protecting the environment is everyone's responsibility.



3 METALU equipment must only be used by facility managers and authorised users.

4 Facility managers must be familiar with the equipment after having read the instructions. If, after reading them, there are any doubts, the manufacturer must be contacted using the addresses provided therein.

5 Facility managers must inform users about the correct operation of the equipment.

6 Before operating the lift, ensure that the operating radius is clear. While the lift is in operation, do not place hands or any objects in its moving parts.



7 External cleaning is a mandatory condition for warranty validity. Follow the cleaning instructions supplied with the lift.



8 In accordance with the Low Voltage Electrical Regulations (REBT), ITC-BT-31, the machine must be connected to the equipotential bonding conductor that the swimming pool is required to have.

9 The installer must be aware of and take into account the regulations of the relevant autonomous community when carrying out the installation.

10 If the holder of this document is not the final customer, it must be passed on to them.

MANUFACTURAS METÁLICAS LUISIANERAS, S.L.

Hydraulic pool lift METALU PANTALAN model

Installation

Address: Poligono Industrial Los Motillos, C/ Madrid No. 11, units A, C, D, G, H. 41430.

City: La Luisiana (Sevilla) – España.

Tax ID: B – 41834508

Main telephone: +34 955 907 784

Website: www.ascensoracuatico.com

Email: info@ascensoracuatico.com

Technical support contacts:

- Telephone: +34 610 267 663
- Email: soporte@ascensoracuatico.com

