



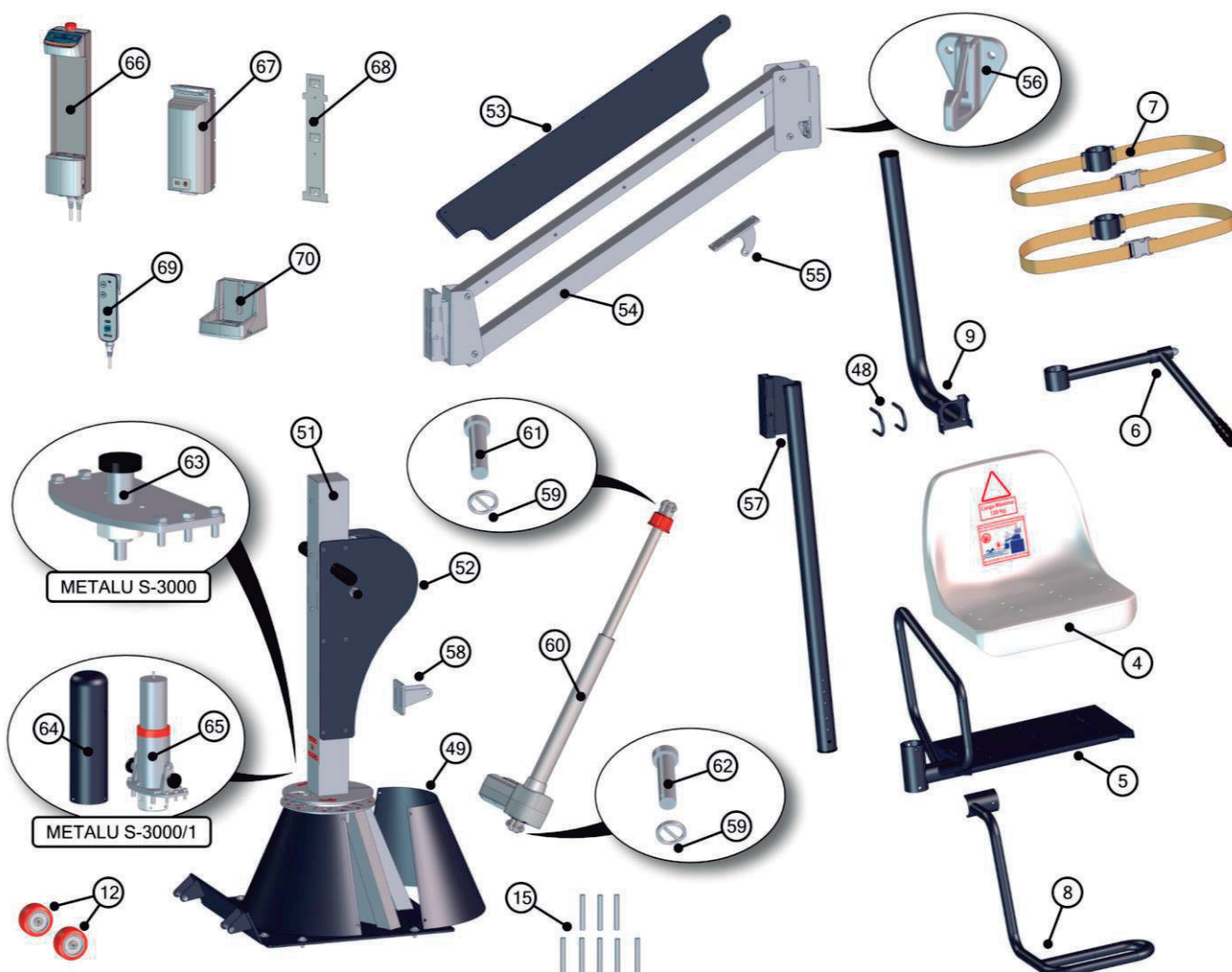
1. Exploded view and spare parts of the lift

The following list identifies the main spare parts of the lift. For replacement of any other component, please contact METALU offices.

4	Seat	56	Safety attachment or cable guide (MODEL S-3000/1)
5	Seat support	57	Seat tube
6	Folding armrest	58	Mast support
7	Safety belt	59	Positioner ring
8	Footrest	60	Linear actuator
9	Accessory tube	61	Upper actuator pin
12	Base wheels	62	Lower actuator pin
15	Anchor bolts	63	Manual positioner (MODEL S-3000)
48	Accessory clamps	64	Motor protective cover (MODEL S-3000/1)
49	Base protective cover	65	24V rotation motor (MODEL S-3000/1)
51	Base and mast	66	Control box
52	Mast protective cover	67	Battery
53	Arm protective cover	68	Control box support
54	Arm	69	Control unit (push-button panel)
55	Arm support	70	Battery charger



The following image identifies each of the parts in the exploded view with their corresponding numbering:



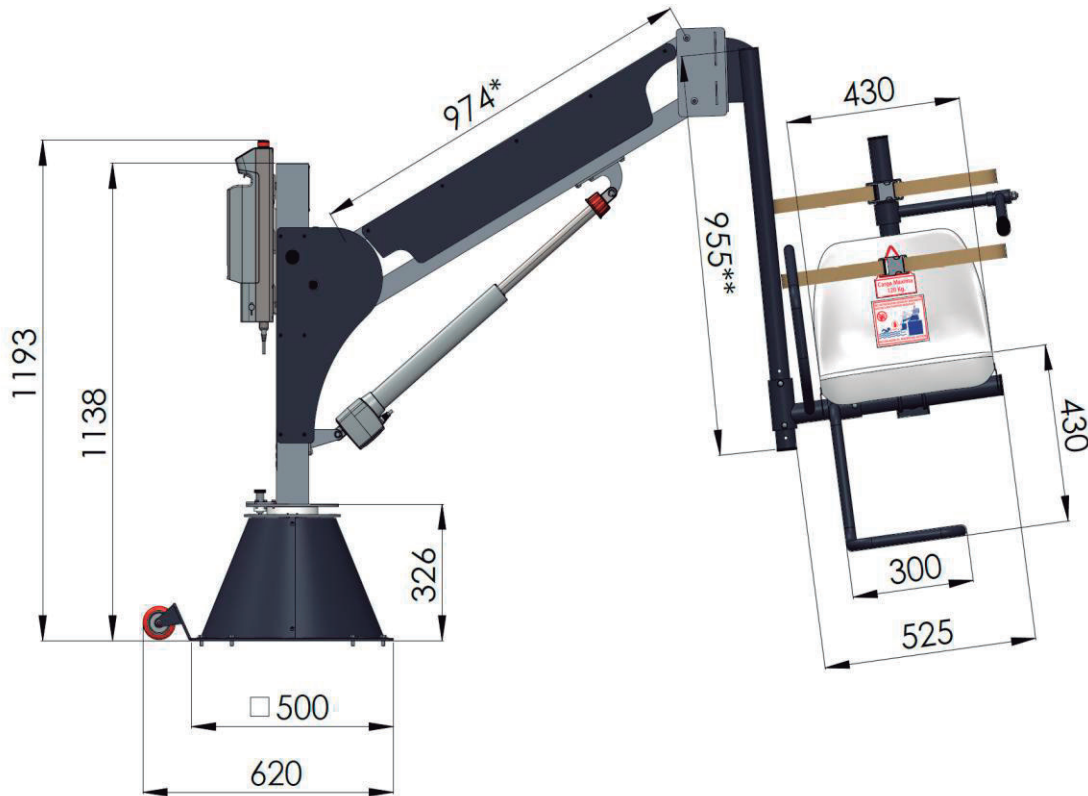
Exploded view and spare parts of the METALU S-3000 and S-3000/1 lift models.



11. Spatial dimensions of the lift

The METALU S-3000 and S-3000/1 models are manufactured with a customised design according to the pool profile required by the lift. Therefore, the dimensions of the lift arm and the seat tube may vary.

The following image shows the dimensions of the lift for a standard model (974 arm), units in millimetres [mm].

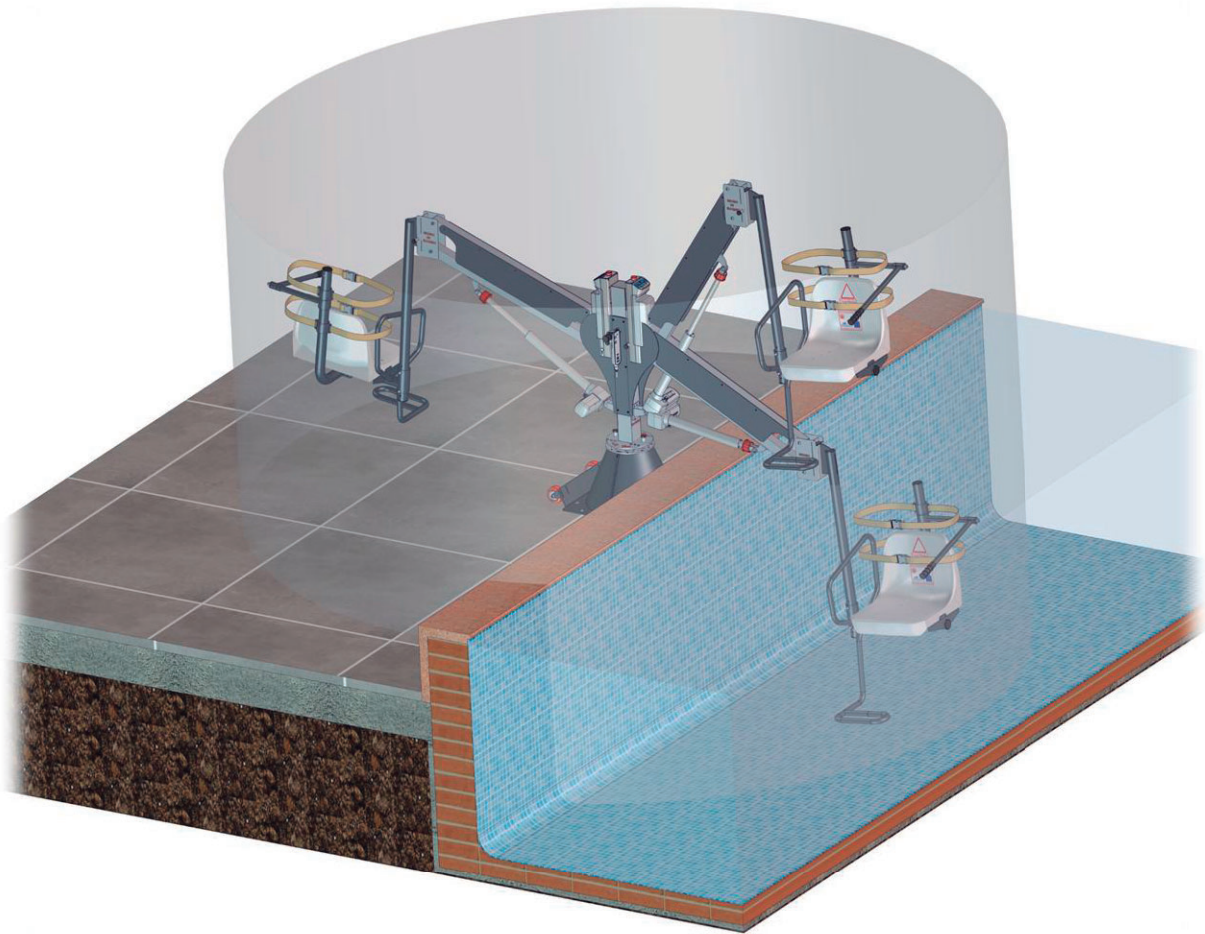


* Arms of different sizes are available to adapt to any type of pool. For more information regarding other lift arms, refer to the document "Adaptability to the pool basin" for the METALU S-3000 model.

** The dimension of the seat tube is adjusted to a larger or smaller size to adapt to any type of pool.



The lift must be installed away from obstacles within its operating area. In three-dimensional space, the operating area of a standard lift is shown in the following image:



Working area of the lift in three-dimensional space for a standard lift.



MANUFACTURAS METÁLICAS LUISIANERAS, S.L.

Battery-powered pool lift METALU S-3000

Manual and certificates

Address: Polígono Industrial Los Motillos, C/ Madrid No. 11, units A, C, D, G, H. 41430.

City: La Luisiana (Sevilla) – España.

Tax ID: B – 41834508

Main telephone: +34 955 907 784

Website: www.ascensoracuatico.com

Email: info@ascensoracuatico.com

Technical support contacts:

- Telephone: +34 613 165 661
- Email: soporte1@ascensoracuatico.com



Other documentation available:



Installation and assembly



Exploded view and
troubleshooting