

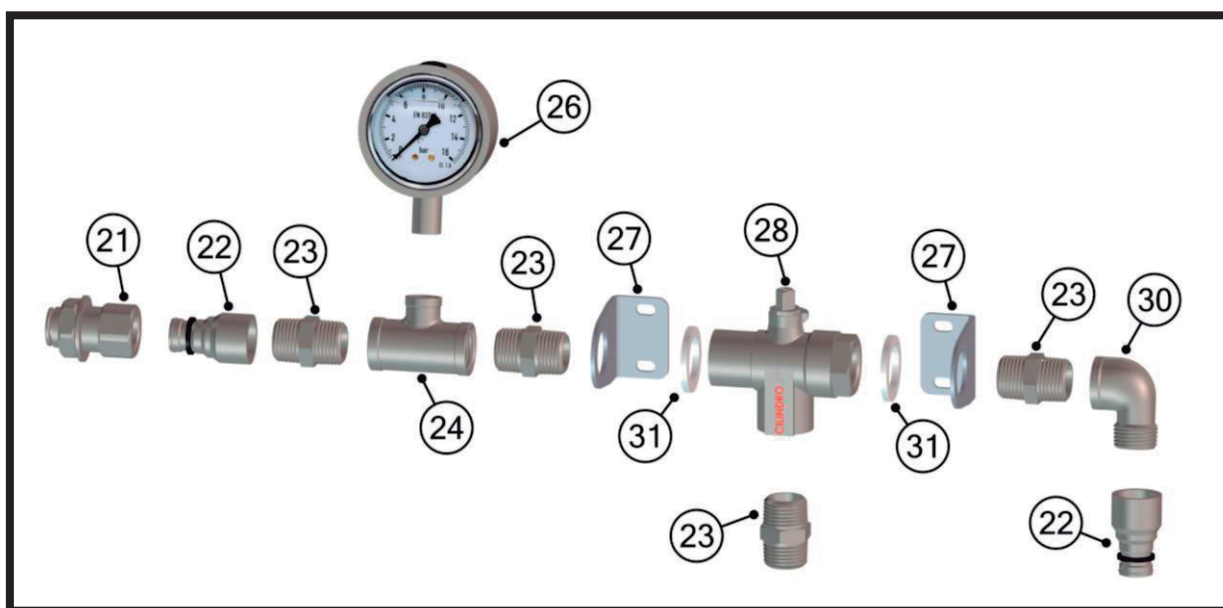
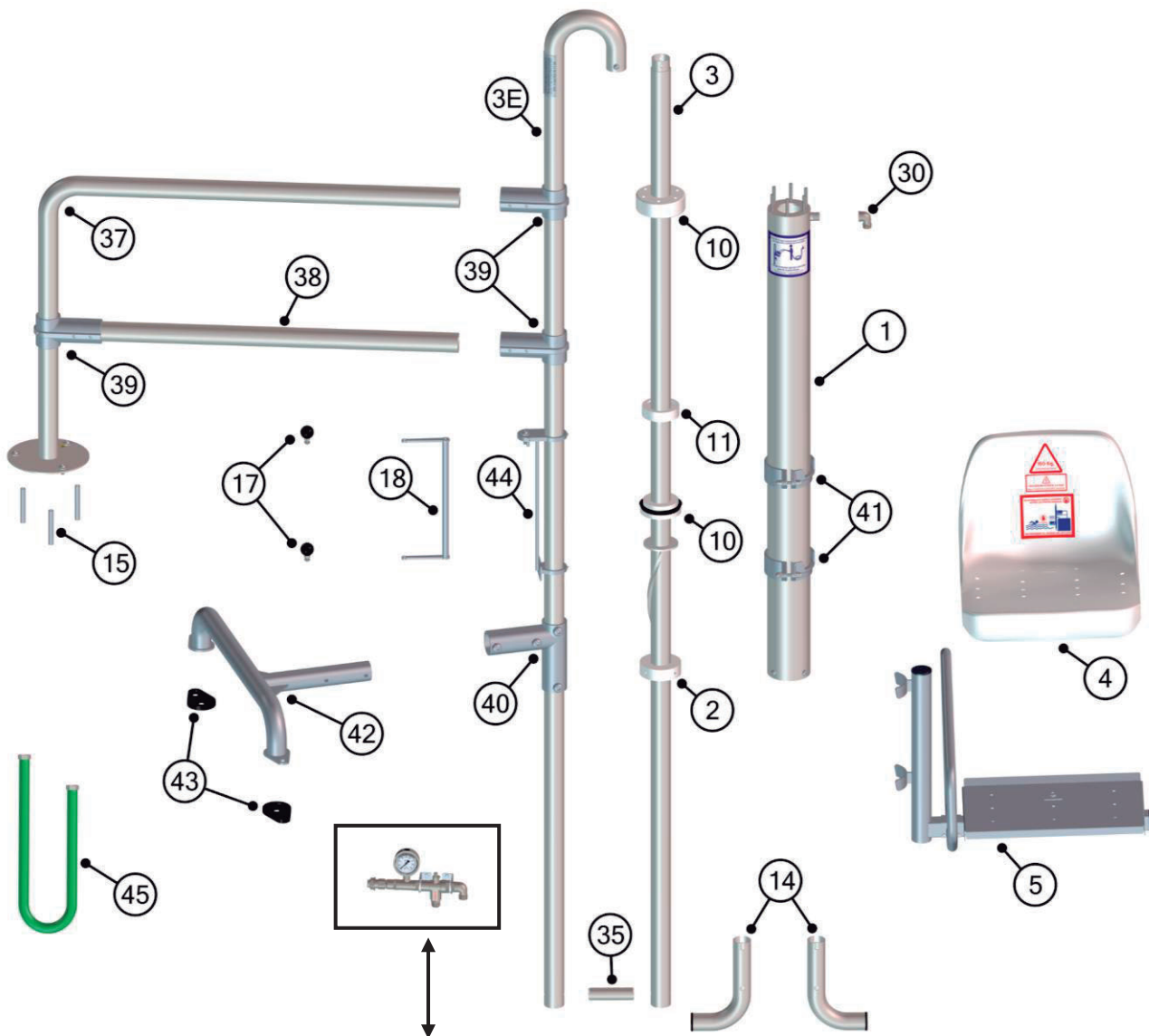


## 1. Exploded view and spare parts of the lift

The following list numbers the main spare parts of the lift. For the replacement of any other component, please contact METALU offices.

1	Cylinder	26	Pressure gauge
2	Guide piece	27	L-shaped piece
3	Shaft	28	Three-way valve
3E	Auxiliary shaft	30	90° elbow fitting M–H
4	PVC seat	31	Spacing washers
5	Seat structure	35	Lower stop spacer
10	Seal and housing kit	37	Handrail
11	Spacer	38	Straight handrail tube
14	Lower supports	39	Handrail T-joint
15	Anchor plugs	40	Support foot sleeve
17	Handle knob	41	Clamps
18	Valve controls	42	Support foot
21	Female quick connector	43	Support foot end caps
22	Male quick connector	44	Valve holder
23	Coupling	45	Cylinder hose
24	Tee fitting		

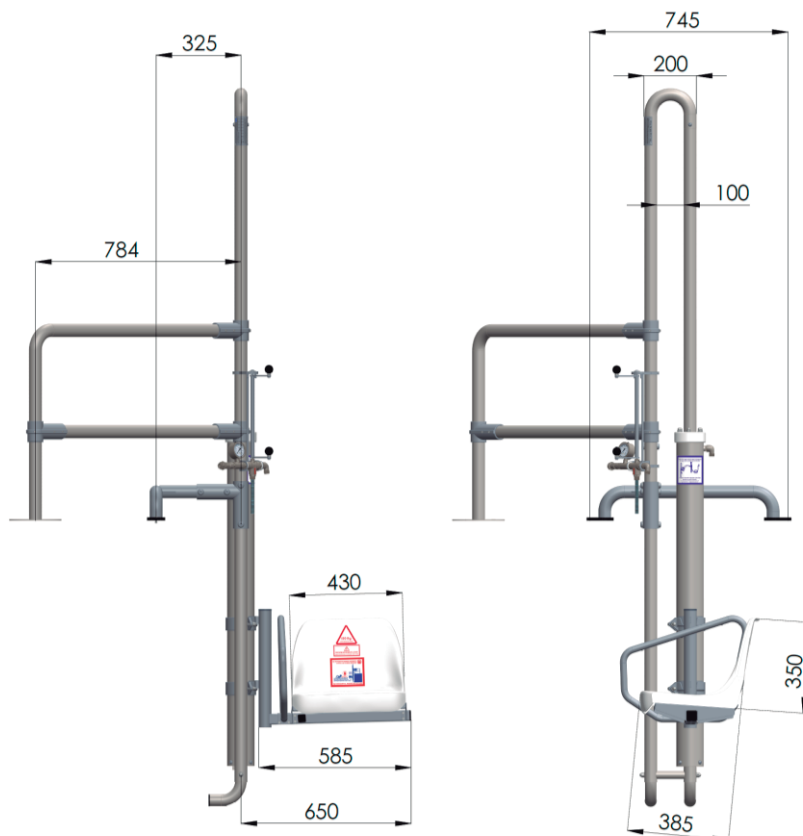
*Exploded view and spare parts of the B-2 lift.*



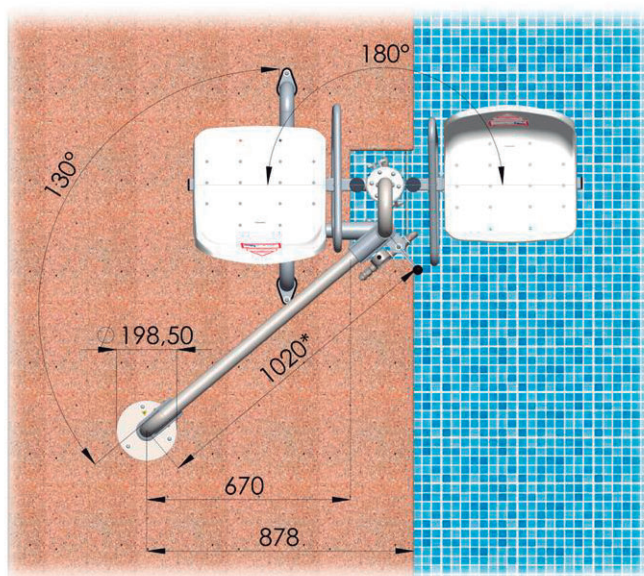


## 10. Spatial dimensions of the lift

General dimensions of the lift in its lowest position, front view. Units in millimetres [mm].



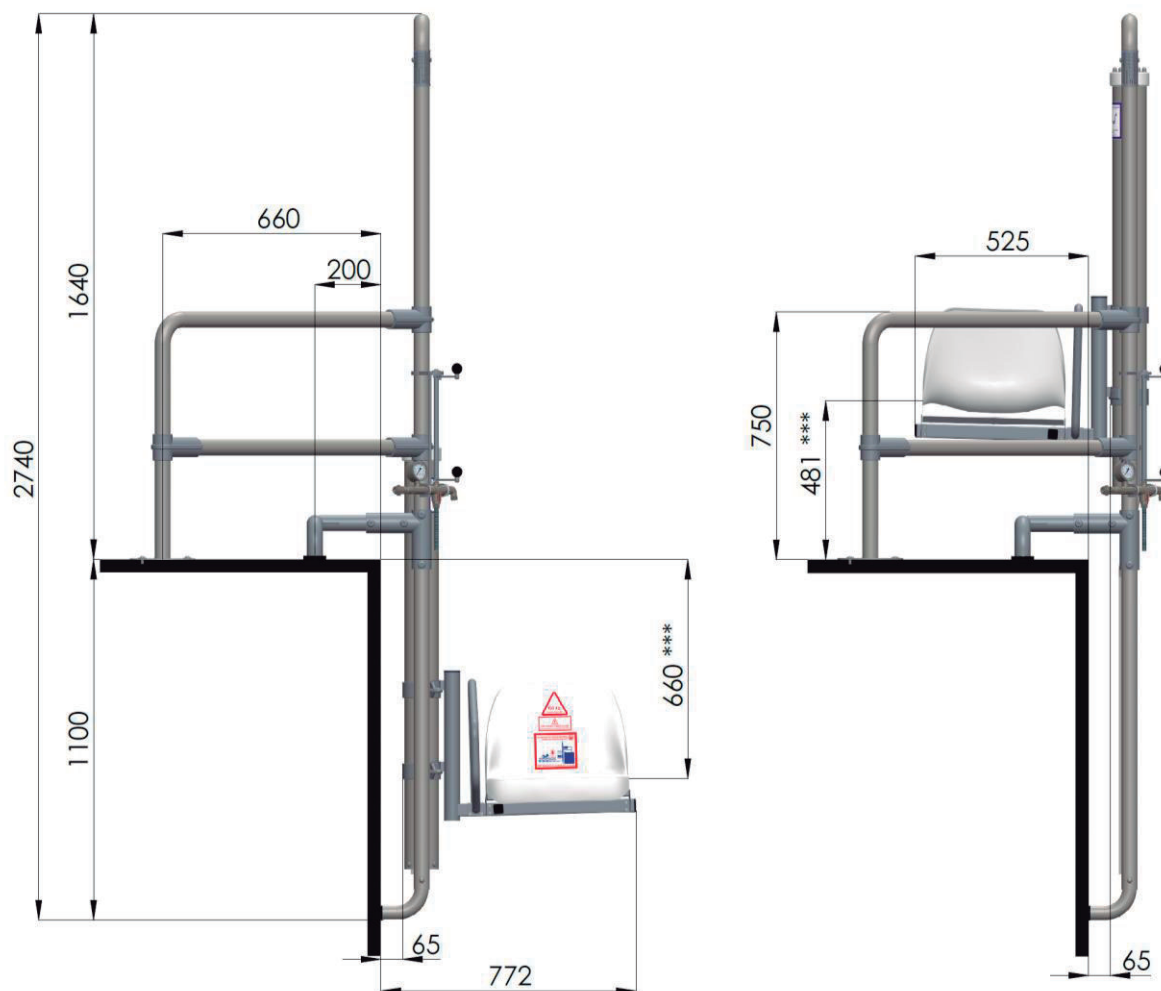
General dimensions of the lift, plan view. Units in millimetres [mm].



\* The original length of the handrail is 1020 mm; however, it can be cut to the length required by the user. For further information, see the document "Pre-installation and installation" for the METALU B-2 model.



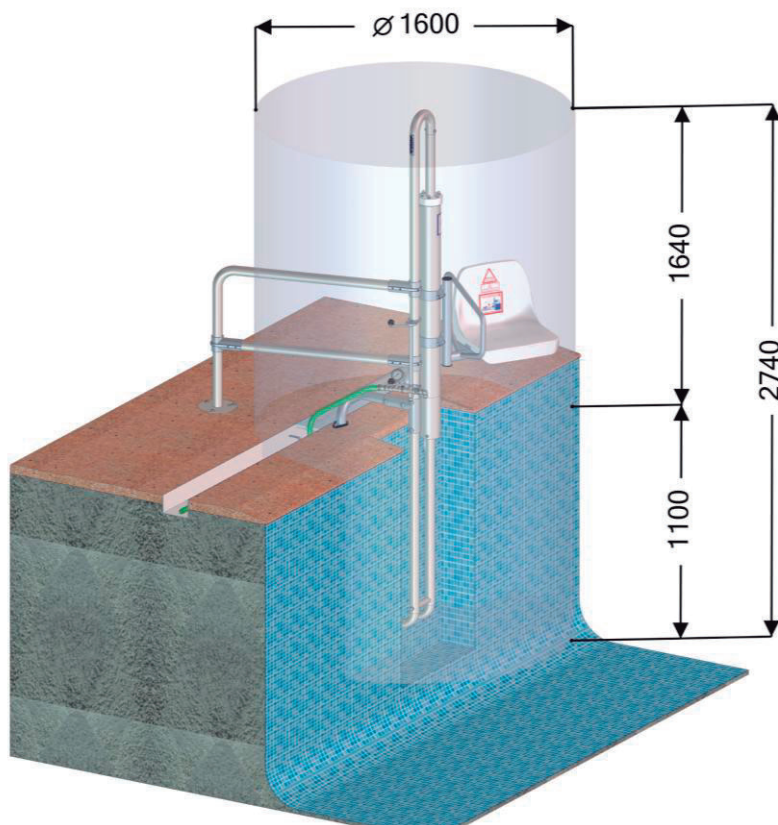
Dimensions of the lift positioned in a standard pool profile, both in its lower and upper positions. Units in millimetres [mm].



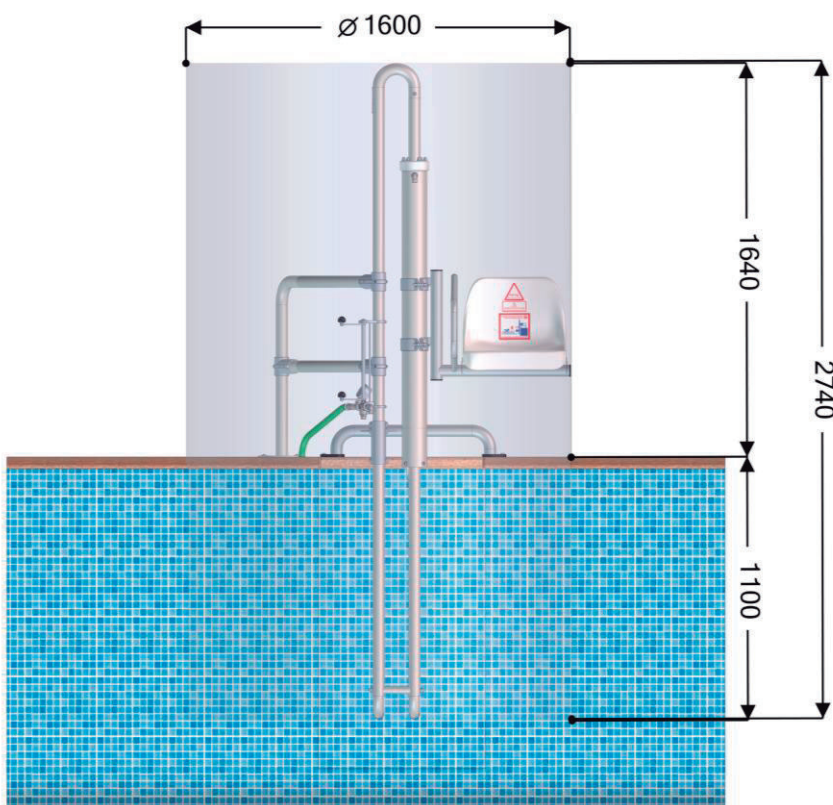
\*\*\* The seat height can be adjusted by changing the position of the cylinder clamps.



Dimensions of the three-dimensional operating space of the lift (3D view).



Dimensions of the three-dimensional operating space of the lift (front view).



# MANUFACTURAS METÁLICAS LUISIANERAS, S.L.

## Hydraulic pool lift METALU B-2 model

### Installation Manual and Certificates

**Address:** Polígono Industrial Los Motillos, C/ Madrid No. 11, units A, C, D, G, H. 41430.

**City:** La Luisiana (Sevilla) – España.

**Tax ID:** B – 41834508

**Main telephone:** +34 955 907 784

**Website:** [www.ascensoracuatico.com](http://www.ascensoracuatico.com)

**Email:** [info@ascensoracuatico.com](mailto:info@ascensoracuatico.com)

#### **Technical support contacts:**

- Telephone: +34 610 267 663
- Email: [soporte@ascensoracuatico.com](mailto:soporte@ascensoracuatico.com)



Other documentation available:



Pre-installation  
and installation



Adaptability to  
the pool basin



Exploded view and  
troubleshooting



Additional  
accessories